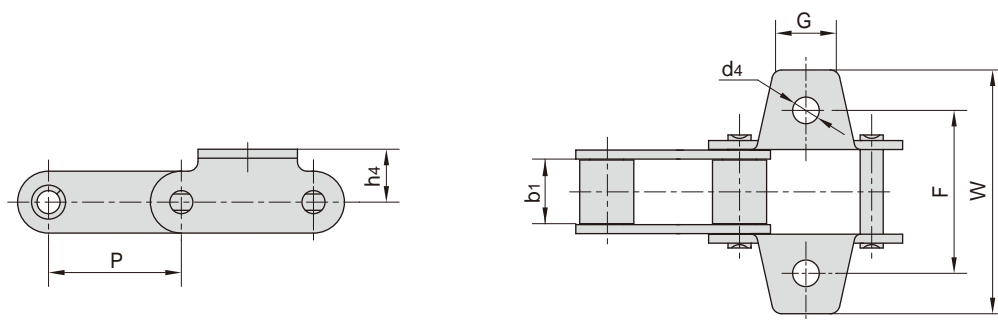


C型/CA型钢制农机链附件

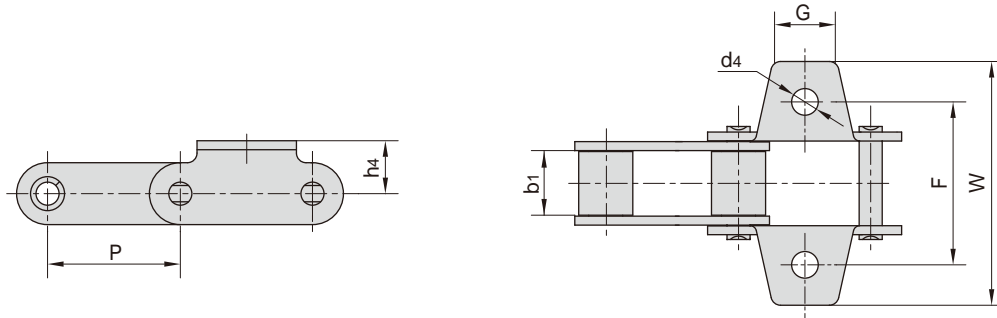
C type and CA type steel agricultural chain attachments



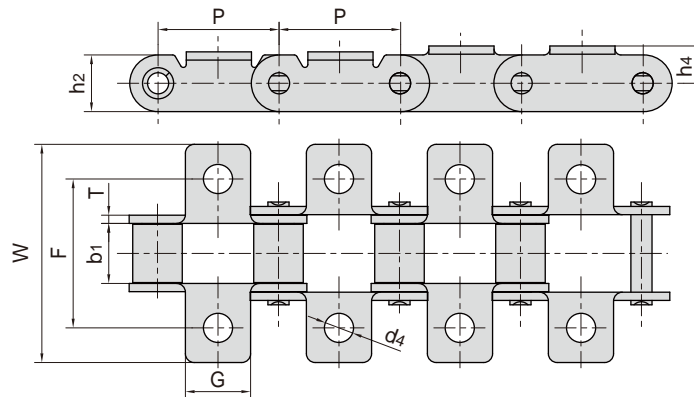
东华链号 Donghua Chain No.	P	b1	G	F	W	h4	d4
	mm	mm	mm	mm	mm	mm	mm
38.4RK1F1	38.4	19.05	22.00	58.0	83.00	15.4	9.00
38.4RK1F2	38.4	19.05	22.00	57.5	82.00	16.0	9.00
38.4RK1F3	38.4	19.05	20.00	58.0	84.40	15.5	8.50
38.4RK1F4	38.4	19.05	20.00	57.0	75.00	16.0	8.50
38.4RK1F7	38.4	19.05	22.00	57.5	82.00	16.0	10.50
38.4RK1F8	38.4	19.05	20.30	57.0	78.00	16.0	8.60
38.4RK1F9	38.4	19.05	20.00	57.0	73.00	10.7	6.50
38.4RK1F10	38.4	19.05	20.00	57.0	78.00	16.0	8.50
38.4SHK1	38.4	19.00	20.00	57.0	75.00	16.0	8.60
38.4VF3K1	38.4	18.00	20.00	58.0	79.00	15.4	9.00
38.4VF3K1F2	38.4	18.00	20.00	57.5	79.00	15.4	8.50
38.4VK1	38.4	18.00	22.00	57.5	82.00	15.4	9.00
38.4VK1F6	38.4	18.00	22.00	56.8	74.80	16.3	8.50
38.4VK1F7	38.4	18.00	22.00	57.5	82.00	15.4	8.40
38.4VK1F9	38.4	18.00	22.00	56.8	82.00	16.3	8.70
C55VK1	41.4	22.23	23.00	58.0	75.60	15.0	9.00
C55VK1F1	41.4	22.23	30.00	58.0	76.00	16.0	9.00
CA550A29	41.4	19.81	22.23	50.8	71.40	12.7	9.92
CA550F5AK29M	41.4	20.24	26.20	50.8	75.40	16.5	10.24
CA550AK4F2	41.4	20.24	26.00	54.0	80.60	16.5	10.30
CA550F2	41.4	19.50	22.00	50.8	72.00	14.7	8.50
CA550F4K19	41.4	20.24	22.23	50.8	77.80	12.7	6.75
CA550AK29M	41.4	19.81	26.20	50.8	75.40	16.5	10.24
CA550F5K1	41.4	20.24	22.20	54.0	71.50	12.7	8.50
CA550F5K29F1	41.4	20.24	22.00	50.8	75.40	12.7	10.30
CA550K1F1	41.4	19.81	20.00	54.0	76.20	16.5	8.30
CA550K1F15	41.4	19.81	22.00	50.8	76.20	12.7	8.50
CA550K1F16	41.4	19.81	22.00	53.8	75.00	11.7	8.50
CA550K1F18	41.4	19.81	22.20	53.7	71.10	12.7	9.90

C型/CA型钢制农机链附件

C type and CA type steel agricultural chain attachments



东华链号 Donghua Chain No.	P	b ₁	G	F	W	h ₄	d ₄
	mm	mm	mm	mm	mm	mm	mm
CA550K1F2	41.4	19.81	20.00	50.8	76.20	16.5	8.30
CA550K1F7	41.4	19.81	26.20	50.8	75.40	16.5	8.40
CA550K25	41.4	19.81	22.23	50.8	71.40	12.7	8.70
CA550K29F1	41.4	19.81	22.20	50.8	75.40	12.7	10.30
CA550VF2K1	41.4	19.05	27.18	51.0	75.54	16.5	8.33
CA550VK1	41.4	19.05	27.00	54.0	75.54	16.5	8.50
CA550VK1F1	41.4	19.05	27.00	50.8	75.54	16.5	8.50
CA557F7K1	41.4	20.24	25.70	57.2	78.20	16.5	10.50
CA557K1	41.4	20.24	22.00	50.8	72.00	15.9	8.70
CA557K1F2	41.4	20.24	22.00	50.8	72.00	15.9	8.30

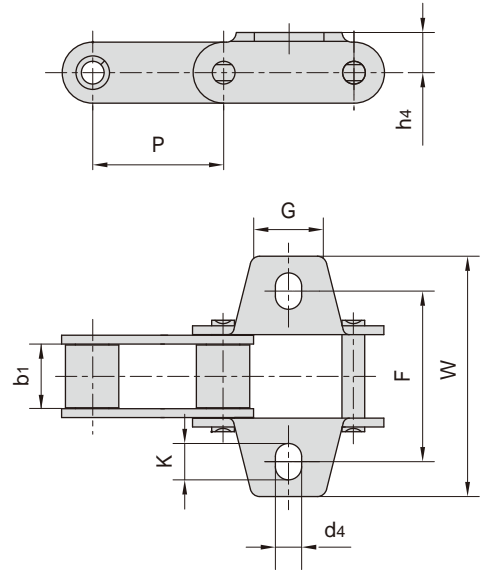


东华链号 Donghua Chain No.	P	b ₁	G	F	W	h ₂	h ₄	T	d ₄
	mm	mm	mm	mm	mm	mm	mm	mm	mm
CA550K11	41.40	19.81	22.2	50.8	75.4	19.3	10.7	2.80	9.92
CA550K17	41.40	19.81	22.2	54.0	76.2	19.3	12.7	2.80	6.75
CA550K20	41.40	19.81	22.2	50.8	76.2	19.3	12.7	2.80	6.75
CA550K22	41.40	19.81	22.2	54.0	76.2	19.3	12.7	2.80	9.53
CA550K1F8	41.40	19.81	22.2	50.8	75.4	19.3	10.7	2.80	6.75
CA550K1F17	41.40	19.81	22.2	50.5	67.1	19.3	10.7	2.80	6.75
CA557K1F3	41.40	20.24	38.1	75.5	107.4	23.1	15.9	3.10	10.30
CA620K1F2	42.01	24.51	22.2	62.7	80.2	20.2	11.5	3.25	6.75
CA620K1S	42.01	24.51	22.2	62.7	80.2	20.2	11.5	3.25	8.33

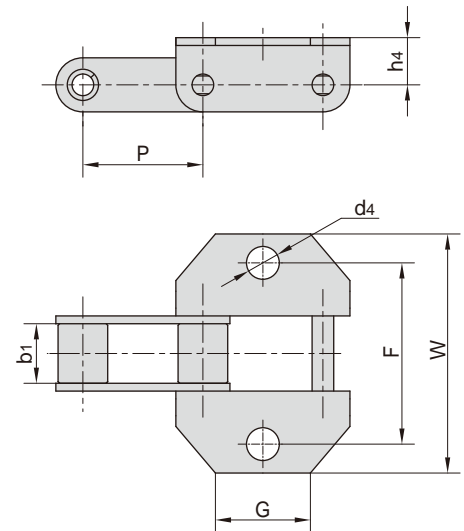
C型/CA型钢制农机链附件

C type and CA type steel agricultural chain attachments

东华链号 Donghua Chain No.	P	b1	G	F	W	h4	d4	K
	mm	mm	mm	mm	mm	mm	mm	mm
CA550K1	41.4	19.81	22.00	52.5	76.2	12.7	8.3	10.0
CA550K1F3	41.4	19.81	22.00	54.0	76.2	12.7	8.3	11.5
CA550F4K19F1	41.4	20.24	22.23	52.5	76.2	12.7	8.3	10.0
CA550K1F9	41.4	19.81	22.00	50.8	76.2	12.7	8.3	11.7
CA555K1	41.4	12.70	22.00	52.5	76.2	12.7	8.3	10.0



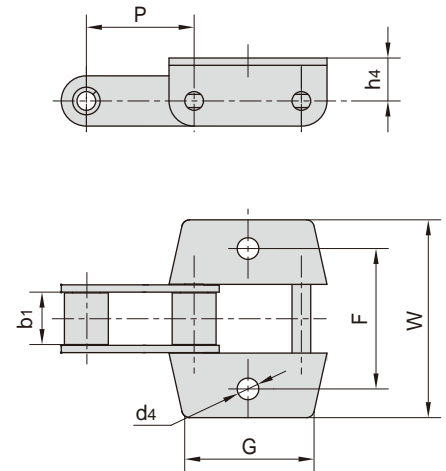
东华链号 Donghua Chain No.	P	b1	G	F	W	h4	d4
	mm	mm	mm	mm	mm	mm	mm
38.4RF5K1	38.4	19.05	29.1	58.0	76.5	11.0	8.0
38.4RF7K1	38.4	19.05	30.0	59.7	78.5	11.4	8.3
38.4RK1	38.4	19.05	29.1	58.0	76.5	15.1	10.5
38.4RK1F11	38.4	19.05	40.0	57.0	86.0	16.0	10.5
38.4RK1F6	38.4	19.05	40.0	57.0	84.0	16.5	10.3
38.4VBF3	38.4	19.05	40.0	57.0	86.0	16.0	10.3
38.4VBK1	38.4	19.05	29.0	58.0	87.0	14.0	10.5
38.4VBK1F3	38.4	19.05	39.0	57.0	80.0	16.0	10.5
38.4VK1F1	38.4	18.00	29.1	57.0	75.0	15.1	8.5
38.4VK1F10	38.4	18.00	39.0	58.4	82.4	14.5	10.5
38.4VK1F11	38.4	18.00	35.0	57.0	76.1	16.0	9.0
38.4VK1F2	38.4	18.00	29.1	57.0	75.0	15.1	10.5
38.4VK1F3	38.4	18.00	29.1	57.0	75.0	15.1	9.0
CA550HF7K1	41.4	20.00	22.6	56.7	74.3	13.2	8.5
CA550HK1	41.4	20.00	22.6	54.0	71.5	12.7	8.5
CA550K18	41.4	19.81	22.6	54.0	71.6	12.7	8.5
CA550K1F6	41.4	19.81	48.5	54.0	76.2	16.5	10.5
CA550VK18	41.4	19.05	22.6	54.0	71.6	12.7	8.5



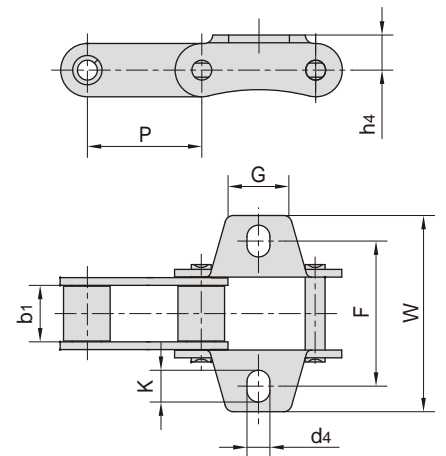
C型/CA型钢制农机链附件

C type and CA type steel agricultural chain attachments

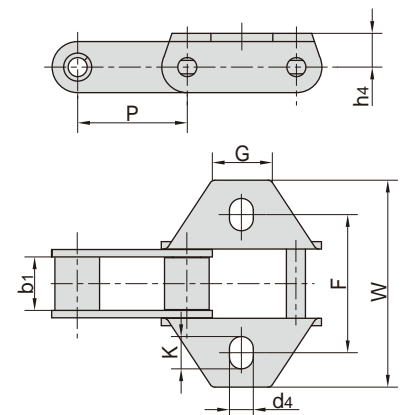
东华链号 Donghua Chain No.	P	b ₁	G	F	W	h ₄	d ₄
	mm	mm	mm	mm	mm	mm	mm
38.4VK1F8	38.40	18.00	40.0	57.0	86.00	16.0	10.5
38.4VBF5	38.40	19.05	40.0	57.0	86.00	14.0	10.5
38.4VBF6	38.40	19.05	20.0	57.0	75.00	16.0	8.6
38.4VBF7	38.40	19.05	40.0	58.5	86.60	14.0	10.5
CA550K1F4	41.40	19.81	48.5	54.0	76.20	16.5	8.5
CA550VK1F3	41.40	19.05	56.0	54.0	75.54	16.5	8.5
CA550K1F6	41.40	19.81	48.5	54.0	76.20	16.5	10.5
CA550K18	41.40	19.81	22.6	54.0	71.60	12.7	8.5
CA620A1F1	42.01	24.51	63.5	67.7	91.70	16.1	10.5
CA620WK1F1	42.01	24.51	62.2	69.0	90.80	16.2	10.3



东华链号 Donghua Chain No.	P	b ₁	G	F	W	h ₄	d ₄	K
	mm	mm	mm	mm	mm	mm	mm	mm
CA550K19	41.4	19.81	22.0	50.8	71.0	12.7	8.3	11.0
CA550K19F1	41.4	19.81	22.0	54.0	71.0	12.7	8.3	11.0
CA550K19F2	41.4	19.81	25.4	50.8	71.0	12.7	8.4	11.5



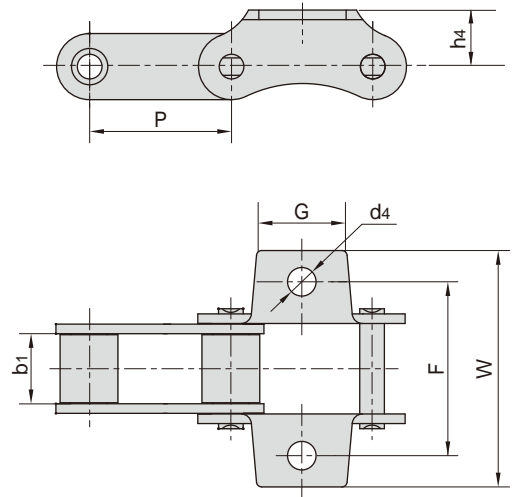
东华链号 Donghua Chain No.	P	b ₁	G	F	W	h ₄	d ₄	K
	mm	mm	mm	mm	mm	mm	mm	mm
CA550K1F21	41.4	19.81	22.60	53.60	73.0	12.4	10.4	12.0
CA550VK1F4	41.4	19.05	34.00	54.00	83.0	15.0	8.2	11.5
CA557F2	41.4	20.24	22.23	53.98	79.3	14.3	9.9	13.6



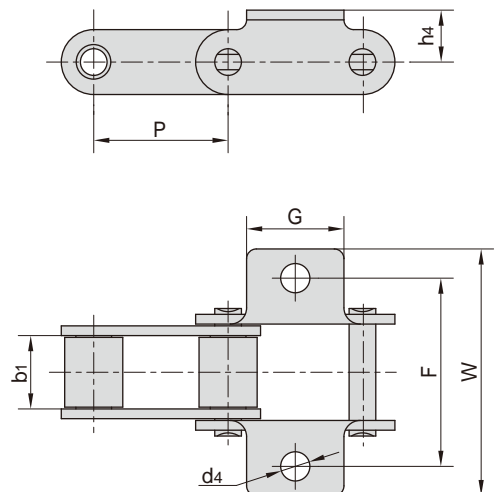
C型/CA型钢制农机链附件

C type and CA type steel agricultural chain attachments

东华链号 Donghua Chain No.	P	b ₁	G	F	W	h ₄	d ₄
	mm	mm	mm	mm	mm	mm	mm
CA550F1	41.4	19.81	22.23	53.95	70.6	12.7	9.90
CA550F20K19	41.4	20.24	22.00	50.80	71.0	12.7	9.75
CA550K19F3	41.4	19.81	25.50	50.80	68.4	16.5	8.33
CA550K1F20	41.4	19.81	22.20	50.50	71.1	12.7	8.33
CA550VK19F1	41.4	19.05	25.50	50.80	67.8	16.5	8.33
CA557AK4	41.4	20.24	26.19	50.80	69.4	16.5	8.33
CA557AK4F1	41.4	20.24	26.00	53.50	80.6	16.5	10.70
CA557K1F9	41.4	20.24	21.00	55.00	78.5	17.4	10.00



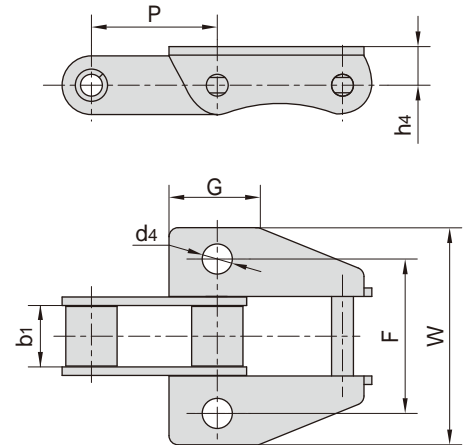
东华链号 Donghua Chain No.	P	b ₁	G	F	W	h ₄	d ₄
	mm	mm	mm	mm	mm	mm	mm
CA2060A1F1	38.10	12.57	28.6	42.9	67.8	14.7	5.50
CA2060HA1F1	38.10	12.57	27.0	38.0	56.0	13.0	8.30
CA2060HK1F2	38.10	12.57	28.6	42.9	67.8	14.7	5.50
38.4VBF15K1	38.40	19.05	47.0	57.0	79.0	14.0	10.50
38.4VBK1F1	38.40	19.05	47.0	57.0	79.0	14.0	10.50
38.4VK1F12	38.40	18.85	47.0	58.0	77.0	11.8	8.50
55VDK1	41.40	23.00	30.0	58.0	76.0	16.0	9.0
CA550A1F5	41.40	19.81	38.1	74.6	105.6	12.7	10.3
CA557A1F1	41.40	20.24	38.1	74.6	105.6	12.7	10.3
CA557A1F3	41.40	20.24	38.1	75.5	107.4	15.9	10.30
CA557F5K1	41.40	20.24	38.1	54.2	78.3	16.5	10.50
CA557F9K1	41.40	20.24	45.0	54.2	78.3	16.5	10.50
CA557K1F5	41.40	20.24	27.0	50.0	75.0	17.7	8.5
CA557K1F8	41.40	20.24	28.6	50.6	73.6	14.3	9.92
S77F1K1	58.34	22.23	40.0	77.0	128.0	20.0	10.5
S77F2K1	58.34	22.23	40.0	77.0	132.0	25.0	10.5



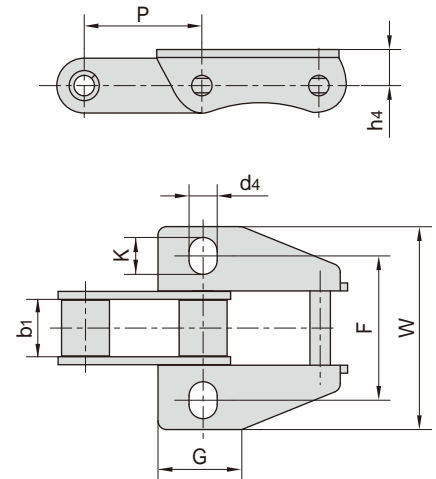
C型/CA型钢制农机链附件

C type and CA type steel agricultural chain attachments

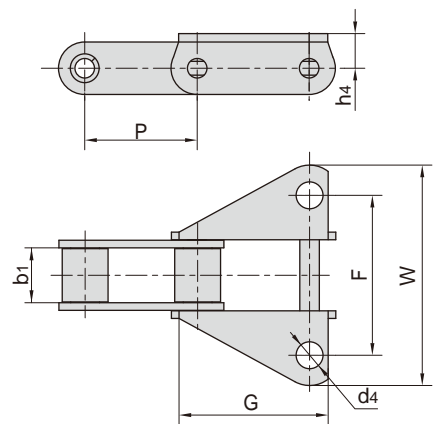
东华链号 Donghua Chain No.	P	b ₁	G	F	W	h ₄	d ₄
	mm	mm	mm	mm	mm	mm	mm
CA550F5K39M	41.4	20.24	29.5	50.80	71.40	12.70	10.3
CA550HK39M	41.4	20.00	31.0	57.00	78.00	14.20	10.5
CA550K39M	41.4	19.81	29.5	50.80	71.40	12.70	9.8
CA550K39MF3	41.4	19.81	29.5	50.80	71.40	12.70	10.3
CA550K39MF4	41.4	19.81	30.0	50.50	71.14	12.70	9.9
CA557K39M	41.4	20.24	29.5	50.80	71.40	12.70	9.8
CA557K39MF1	41.4	20.24	22.0	57.15	77.60	14.00	9.9
CA557K39MF3	41.4	20.24	31.0	57.00	78.00	14.50	10.3
CA557K39MF17	41.4	20.24	29.5	57.15	73.56	13.84	8.7



东华链号 Donghua Chain No.	P	b ₁	G	F	W	h ₄	d ₄	K
	mm	mm	mm	mm	mm	mm	mm	mm
CA550K39MF2	41.4	19.81	29.5	50.80	71.4	12.7	9.9	13.0
CA557K39MF2	41.4	20.24	29.5	50.80	71.4	12.7	9.9	13.0
CA557K39MF6	41.4	20.24	29.5	53.98	74.5	12.7	9.9	13.0
A557F1K39MF3	41.4	20.24	31.0	54.00	78.0	12.7	10.5	12.5



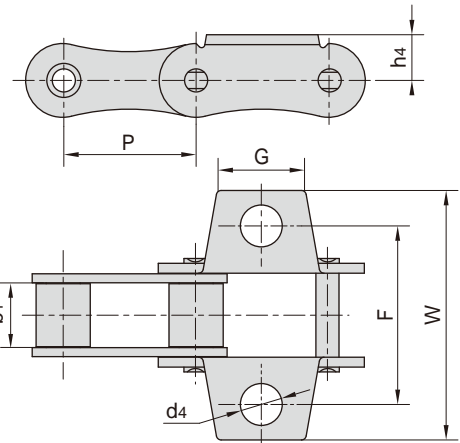
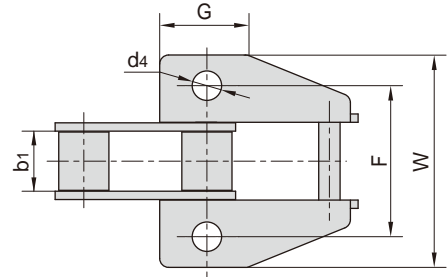
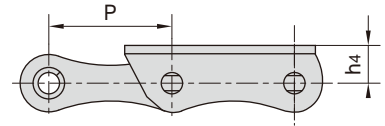
东华链号 Donghua Chain No.	P	b ₁	G	F	W	h ₄	d ₄
	mm	mm	mm	mm	mm	mm	mm
38.4VBF8	38.4	19.05	20.0	58.00	87.4	14.0	10.5
38.4VBK39M	38.4	19.05	20.0	58.00	87.4	14.0	10.5
CA557F1	41.4	20.24	60.0	53.94	76.2	14.6	9.9



C型/CA型钢制农机链附件

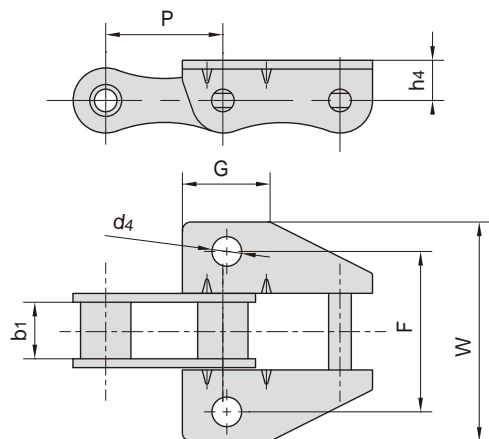
C type and CA type steel agricultural chain attachments

东华链号 Donghua Chain No.	P	b ₁	G	F	W	h ₄	d ₄
	mm	mm	mm	mm	mm	mm	mm
A557K39M	41.4	20.24	29.5	56.70	77.8	13.5	10.10
A557K39MF2	41.4	20.24	29.5	56.70	77.8	13.5	10.50
A557K39MF1	41.4	20.24	31.0	57.15	78.0	14.2	10.50
A557K35M	41.4	20.24	30.0	50.80	73.5	14.1	10.31
A557K39MF4	41.4	20.24	29.5	56.70	77.8	13.5	10.30
A557K39MF7	41.4	20.24	29.5	63.00	88.0	13.5	11.00
A557F1K39M	41.4	20.24	31.0	57.00	78.0	14.2	10.50
A557K39MF3	41.4	20.24	31.0	50.80	71.4	14.3	8.30
A557F16K39M	41.4	20.24	28.0	63.50	88.9	14.2	10.50
A557K39MF9	41.4	20.24	31.0	57.20	77.7	13.8	10.30
A557K39MF10	41.4	20.24	31.0	57.20	77.7	14.3	9.90



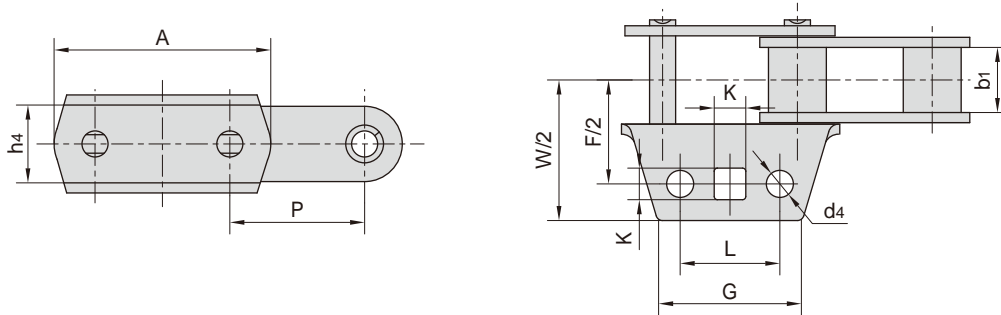
东华链号 Donghua Chain No.	P	b ₁	G	F	W	h ₄	d ₄
	mm	mm	mm	mm	mm	mm	mm
A557F1K1	41.4	20.24	26.2	51.00	71.60	16.51	8.33
A557F2K1	41.4	20.24	28.6	57.20	79.10	14.30	13.10
A557K1F9	41.4	20.24	28.6	55.80	78.00	14.30	13.10
A557K27S	41.4	20.24	28.6	57.15	79.35	14.30	13.10

东华链号 Donghua Chain No.	P	b ₁	G	F	W	h ₄	d ₄
	mm	mm	mm	mm	mm	mm	mm
A557F4K39M	41.4	20.24	31.0	57.00	78.0	14.2	10.5
A557F7K39M	41.4	20.24	31.0	57.20	78.0	14.2	10.5
A557K39MF13	41.4	20.24	22.0	63.50	88.9	14.0	11.0

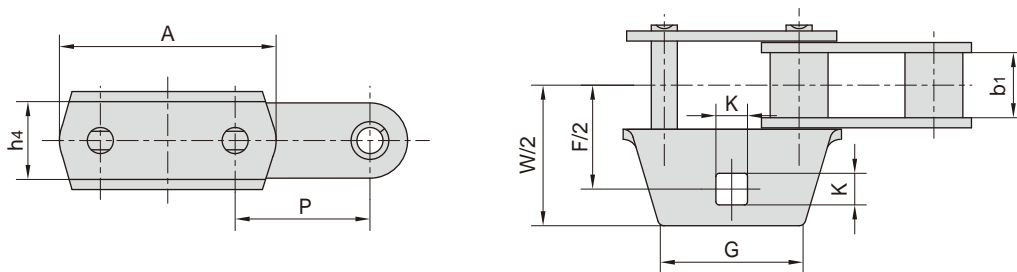


C型/CA型钢制农机链附件

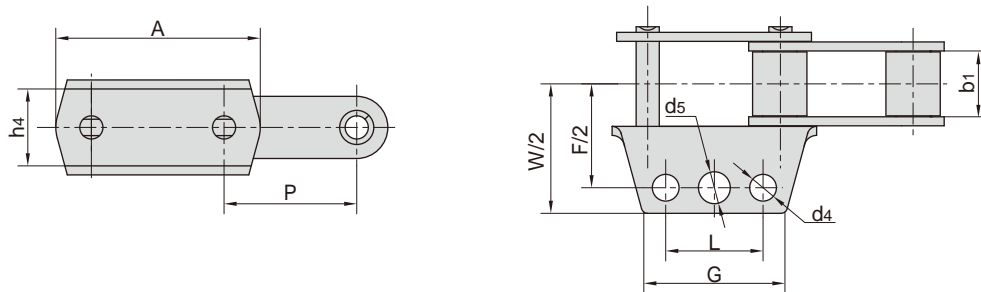
C type and CA type steel agricultural chain attachments



东华链号 Donghua Chain No.	P	b ₁	A	L	G	F	W	h ₄	d ₄	K
	mm	mm	mm	mm	mm	mm	mm	mm	mm	mm
CA557F3	41.4	20.24	66.55	30.22	44.45	64.14	86.6	23.9	8.25	9.7



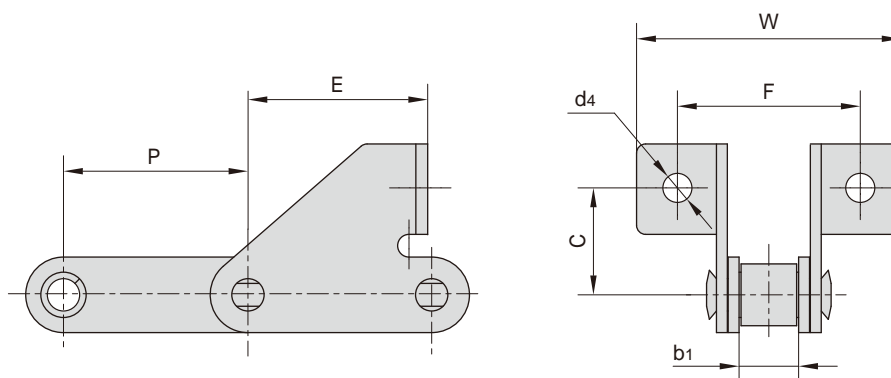
东华链号 Donghua Chain No.	P	b ₁	A	G	F	W	h ₄	K
	mm	mm	mm	mm	mm	mm	mm	mm
CA557F4	41.4	20.24	66.55	44.45	64.14	86.6	23.9	9.7



东华链号 Donghua Chain No.	P	b ₁	A	L	G	F	W	h ₄	d ₄	d ₅
	mm	mm	mm	mm	mm	mm	mm	mm	mm	mm
CA550F7	41.4	19.81	63.5	30.22	44.45	64.1	81.4	23.88	8.25	9.9

C型/CA型钢制农机链附件

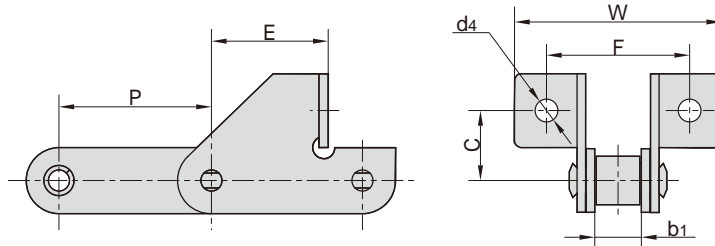
C type and CA type steel agricultural chain attachments



东华链号 Donghua Chain No.	P	b ₁	E	F	W	C	d ₄
	mm	mm	mm	mm	mm	mm	mm
38.4RSD	38.4	19.05	38.4	52.0	71.0	24.5	8.4
38.4RSDF1	38.4	19.05	38.4	52.0	70.0	24.5	8.4
38.4RSDF2	38.4	19.05	38.4	52.0	71.0	24.5	9.0
38.4RSDF3	38.4	19.05	38.2	52.0	72.0	24.0	8.4
38.4RSDF4	38.4	19.05	37.4	52.0	71.0	24.0	8.4
38.4RSDF5	38.4	19.05	35.9	60.0	79.0	24.0	6.4
38.4RSDF6	38.4	19.05	38.4	62.0	81.0	24.5	8.5
38.4RSDF7	38.4	19.05	38.4	60.0	81.0	24.5	8.4
38.4RSDF8	38.4	19.05	38.4	60.0	81.0	24.5	6.4
38.4RSDF10	38.4	19.05	38.4	52.0	71.0	24.5	8.4
38.4VBSD	38.4	19.05	38.4	52.0	71.0	25.0	8.4
38.4VBSD1	38.4	19.05	38.4	52.0	73.0	24.0	8.3
38.4VBSD2	38.4	19.05	38.4	52.0	73.0	24.0	8.4
38.4VBSD3	38.4	19.05	38.4	52.0	70.1	24.5	8.5
38.4VBSD4	38.4	19.05	38.2	52.0	72.0	24.0	8.4
38.4VBSD5	38.4	19.05	37.4	52.0	73.0	24.0	8.7
38.4VSD	38.4	18.00	38.4	52.0	71.0	24.0	8.4
CA550F5SDF1	41.4	20.24	36.9	47.6	68.2	31.0	8.7
CA550HSDF3	41.4	20.00	33.5	61.3	88.5	21.5	8.4
CA550SD	41.1	19.81	36.9	47.6	68.2	31.0	8.7
CA550SDF4	41.4	19.81	36.9	47.6	89.0	31.0	8.7
CA550SDF10	41.4	19.81	37.7	47.6	68.2	31.0	8.5

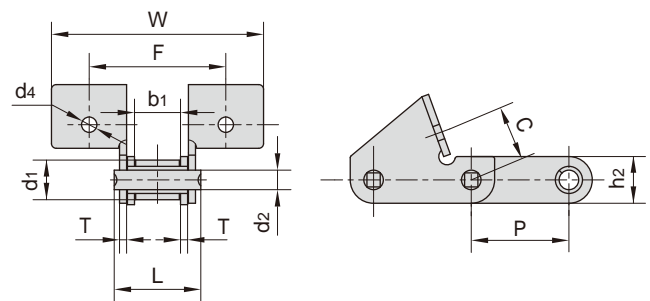
C型/CA型钢制农机链附件

C type and CA type steel agricultural chain attachments



东华链号 Donghua Chain No.	P	b ₁	E	F	W	C	d ₄
	mm	mm	mm	mm	mm	mm	mm
CA550SDF1	41.4	19.81	35.0	58.0	85.0	20.5	8.5
CA550SDF2	41.4	19.81	32.5	62.0	84.0	20.0	8.6
CA550SDF3	41.4	19.81	35.0	58.0	85.0	20.5	6.5
CA550SDF6	41.4	19.81	33.0	58.0	85.0	20.5	6.5
CA550SDF7	41.4	19.81	32.5	62.0	89.0	20.0	8.6
CA550F5SD	41.1	20.24	33.0	57.8	83.5	20.0	6.7
CA550F8SD	41.4	19.81	33.0	58.0	85.9	20.5	6.5
CA550SDF5	41.4	19.81	34.0	63.0	89.0	20.0	8.0
CA550SDF11	41.4	19.81	31.0	58.0	85.0	20.5	8.5
CA550SDF12	41.4	19.81	31.0	58.0	85.0	20.5	6.5
CA550HSD	41.4	20.00	33.4	58.0	90.0	20.0	6.5
CA550VSD	41.4	19.05	35.0	58.0	88.6	20.5	6.5

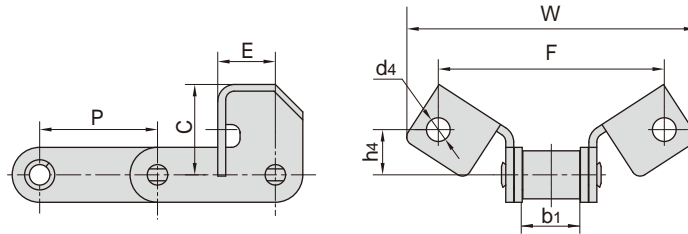
东华链号 Donghua Chain No.	P	C	F	W	d ₄
	mm	mm	mm	mm	mm
CA550VF1	41.4	23.4	58	90.0	6.5
CA550F10	41.4	23.4	58	90.0	6.5
CA550HF4	41.4	23.4	58	90.0	6.5
CA550HF6	41.4	23.4	58	90.0	8.5
CA550HF5	41.4	23.4	58	90.0	9.9



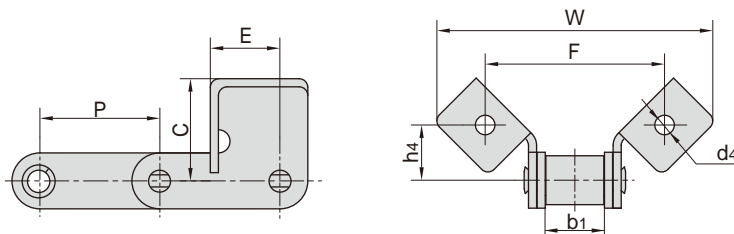
东华链号 Donghua Chain No.	节距 Pitch	滚子直径 Roller diameter	内节内宽 Width between inner plates	销轴直径 Pin diameter	销轴长度 Pin length	链板高度 Plate depth	链板厚度 Plate thickness	抗拉强度 Tensile strength	每米长重 Weight per meter
	P	d ₁ max	b ₁ min	d ₂ max	L max	h ₂ max	T	Q min	q
	mm	mm	mm	mm	mm	mm	mm	kN/lbf	kg/m
CA550VF1	41.4	16.80	19.50	8.28	36.7	19.80	3.0	44.00/9898	2.50
CA550F10	41.4	16.70	19.81	7.14	36.2	19.05	3.0	53.00/11922	2.38
CA550HF4	41.4	16.74	20.00	7.14	36.0	19.10	3.0	57.78/12998	2.73
CA550HF6	41.4	16.74	20.00	7.14	36.0	19.10	3.0	57.78/12998	2.71
CA550HF5	41.4	16.74	20.00	7.14	36.0	19.10	3.0	57.78/12998	2.34

C型/CA型钢制农机链附件

C type and CA type steel agricultural chain attachments



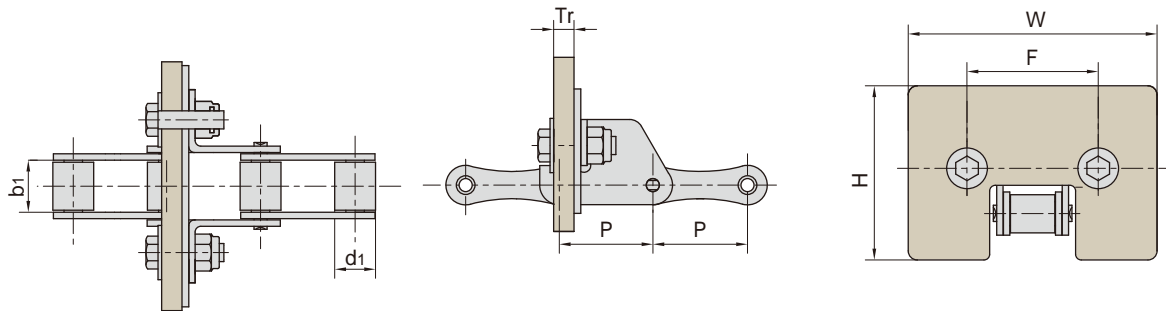
东华链号 Donghua Chain No.	P	b ₁	E	C	F	W	h ₄	d ₄
	mm	mm	mm	mm	mm	mm	mm	mm
CA550F14	41.4	19.81	20.24	31.75	79.40	101.60	15.90	8.33
CA550F16	41.4	20.00	22.30	39.00	78.00	109.20	17.70	8.00
CA550F19	41.4	19.81	20.24	31.75	79.40	101.60	15.90	10.50
CA550F24	41.4	19.81	20.24	31.75	79.10	101.30	15.87	8.33
CA550F5-F14	41.4	20.24	20.24	31.75	79.40	101.60	15.90	8.33
CA550F5-F14SF	41.4	20.24	21.34	31.75	79.40	101.60	15.90	9.91
CA550F5-F17	41.4	20.24	28.80	40.89	114.30	143.70	20.57	9.91
CA550SEF1	41.4	19.81	21.60	40.00	79.30	115.60	15.90	10.31
CA550VF14	41.4	19.05	20.24	31.75	79.40	101.60	15.90	8.33
CA550V-F15	41.4	19.05	28.80	91.40	134.10	203.70	52.40	8.70
CA550VF2SE	41.4	19.05	24.50	59.60	79.40	135.40	28.50	8.70
CA550VF2SEF1	41.4	19.05	24.25	73.30	79.40	111.30	52.60	8.74
CA550VF2SEF3	41.4	19.05	20.20	50.00	79.40	121.80	28.58	8.74
CA550VF2SEF5	41.4	19.05	29.10	102.30	134.10	203.70	52.40	8.70
CA550VF2SEF6	41.4	19.05	28.40	102.30	133.30	201.90	52.40	9.90
CA557F14	41.4	20.24	19.60	34.00	79.40	109.80	15.88	8.60
CA557SFD	41.4	20.24	24.30	50.10	79.40	109.80	28.60	8.30
CA557SFDF1	41.4	20.24	24.30	50.10	79.40	109.80	28.60	9.53



东华链号 Donghua Chain No.	P	b ₁	E	C	F	W	h ₄	d ₄
	mm	mm	mm	mm	mm	mm	mm	mm
CA550F15	41.4	19.81	24.00	35.26	61.98	95.25	19.05	6.73
CA550F17	41.4	19.81	23.68	40.89	114.30	143.70	20.57	9.91
CA550VF13	41.4	19.05	25.40	59.60	79.35	135.45	28.60	8.74
CA550F18	41.4	19.81	24.00	35.26	61.98	95.25	19.05	8.33
CA550F5-F17	41.4	20.24	23.68	40.89	114.30	143.70	20.57	9.91
CA550F5-G18	41.4	20.24	24.13	20.32	63.50	84.00	8.38	8.38
CA550VF17	41.4	19.05	23.68	40.89	114.30	143.70	20.57	9.91

C型/CA型钢制农机链附件

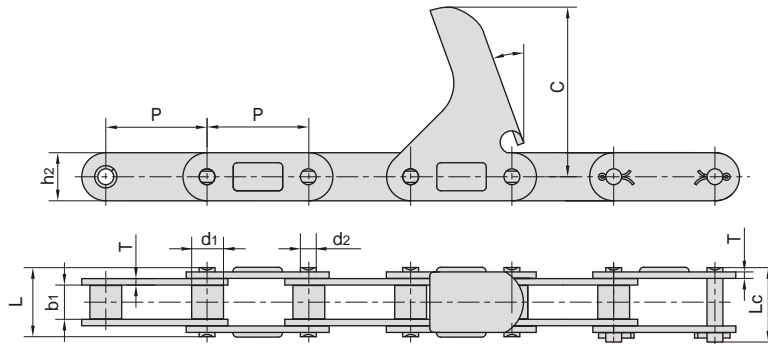
C type and CA type steel agricultural chain attachments



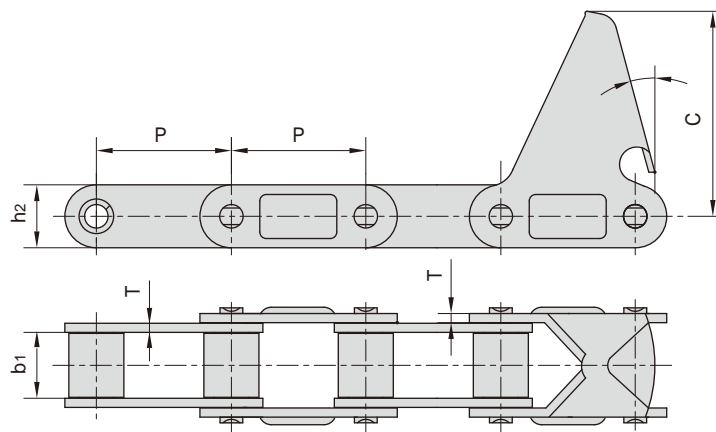
东华链号 Donghua Chain No.	节距	滚子直径	内节内宽	橡胶附板尺寸			
	Pitch	Roller diameter	Width between inner plates	Rubber attachment dimension			
	P	d1 max	b1 min	W max	H max	F	Tr
	mm	mm	mm	mm	mm	mm	mm
S52LF1SD-G	38.1	15.24	16.40	152.0	80.0	54.5	9.0
S52L-G	38.1	15.24	16.40	150.0	78.7	54.5	10.0
S55SDF2-G	38.1	15.24	22.23	107.0	84.0	57.6	10.0
38.4RSDF10-G	38.4	15.88	19.05	107.0	80.0	52.0	9.0
38.4RSD-G	38.4	15.88	19.05	154.0	78.0	52.0	9.0
38.4VBSDF2-G	38.4	15.88	19.05	154.0	124.0	52.0	9.0
38.4VSD-GF1	38.4	15.88	18.00	113.0	75.0	52.0	10.0
38.4VSD-GF2	38.4	15.88	18.00	150.0	95.0	52.0	10.0
CA550HF6-G	41.4	16.74	20.00	197.0	96.0	58.0	9.0
55VSE-G	41.4	17.90	22.23	200.0	100.0	88.0	10.0
55VSEL-GF1	41.4	17.90	22.23	145.0	109.0	88.0	10.0
CA550F14-G	41.4	16.87	19.81	152.0	79.0	79.4	9.0
CA550F14-GF1	41.4	16.87	19.81	145.0	105.0	79.4	11.0
CA550F14-GF2	41.4	16.87	19.81	145.0	105.0	79.4	9.0
CA550F14-GF3	41.4	16.87	19.81	152.0	79.0	79.4	9.0
CA550F17-G	41.4	16.87	19.81	190.0	96.0	114.3	12.0
CA550F5-F17-GF1	41.4	16.66	20.24	194.5	103.5	114.3	11.0
CA550HSDF3-G	41.4	16.74	20.00	149.0	74.0	61.3	10.0
CA550HSD-G	41.4	16.74	20.00	147.0	86.0	58.0	10.0
CA550SDF1-G	41.4	16.87	19.81	151.0	85.0	58.0	9.0
CA550SEF1-G	41.4	16.87	19.81	152.0	80.0	79.3	10.0
CA550VF14-G	41.4	16.80	19.05	142.9	79.4	79.4	12.7
CA550V-F15-G	41.4	16.80	19.05	247.0	130.0	134.1	11.0
CA550VF2SEF3-G	41.4	16.80	19.05	197.0	108.0	79.4	11.0
CA550VF2SEF3-GF1	41.4	16.80	19.05	224.0	122.5	79.4	11.5
CA550VF2SEL-G	41.4	16.80	19.05	224.0	122.5	79.4	11.0
S45HF3-G	41.4	15.24	22.23	123.0	74.0	61.3	9.0
S45HSDF1-G	41.4	15.24	22.23	165.0	100.0	63.5	9.0
S45SDF1-G	41.4	15.24	22.23	150.0	100.0	62.0	9.0
S45WF4-G	41.4	15.24	22.23	137.0	87.0	58.0	10.0
S55F2-G	41.4	17.78	22.23	114.0	98.0	58.0	10.0
S55F6-G	41.4	17.78	22.23	110.0	85.0	58.0	9.0
S55SDF2-G	41.4	17.78	22.23	147.6	85.0	58.0	10.0

C型/CA型钢制农机链附件

C type and CA type steel agricultural chain attachments



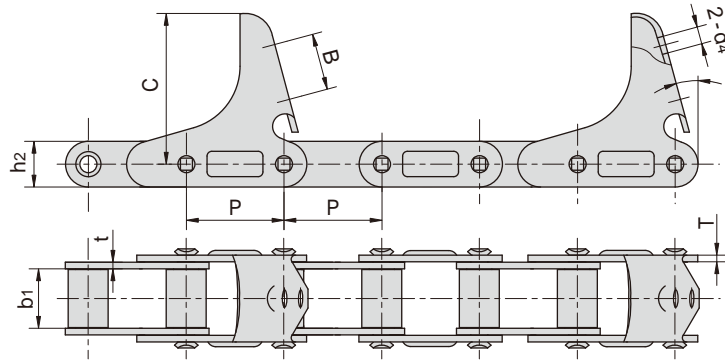
东华链号 Donghua Chain No.	节距 Pitch	滚子直径 Roller diameter	内节内宽 Width between inner plates	销轴直径 Pin diameter	销轴长度 Pin length		链板尺寸 Plate dimension			抗拉强度 Tensile strength	每米长重 Weight per meter	
	P	d1 max	b1 min	d2 max	L max	Lc max	h2 max	T	C	Q min	q	
	mm	mm	mm	mm	mm	mm	mm	mm	mm	kN/lbf	kg/m	
CA2060 - C6E	38.1	11.91	12.57	5.94	25.9	28.3	18.0	2.42	63.5	20.0 °	31.1/6996	1.40
CA2060H - C6E	38.1	11.91	12.57	5.94	31.0	31.6	18.0	3.25	63.5	22.5 °	31.1/6996	1.78
38.4VBF2 - C6EF1	38.4	15.88	19.05	8.28	36.1	-	20.5	3.00	54.8	22.0 °	50.0/11241	2.37
CA550V - C6EF1	41.4	16.80	19.05	8.28	36.1	39.1	22.0	3.00	50.5	15.0 °	55.0/12364	2.65
CA550 - LV41NF1	41.4	16.87	19.81	7.19	35.0	38.0	19.3	2.80	68.5	20.0 °	39.1/8790	1.79
CA550HF10 - LV41N	41.4	16.66	19.40	7.19	35.8	-	19.3	3.10	68.5	20.0 °	39.1/8790	2.29
CA550HF8 - LV41N	41.4	16.66	19.40	7.19	35.8	-	19.3	3.10	68.5	20.0 °	39.1/8790	2.29



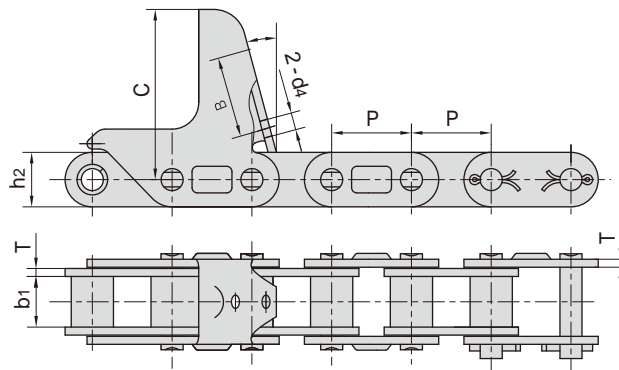
东华链号 Donghua Chain No.	P	b1	h2	T	C	
	mm	mm	mm	mm	mm	
CA550 - C6E	41.40	19.81	19.30	2.80	55.6	-
CA550 - C11E	41.40	19.81	19.30	2.80	63.5	-
CA550 - C11EJ	41.40	19.81	19.30	2.80	66.0	-
CA550 - C13E	41.40	19.81	19.30	2.80	92.0	-
CA550F4 - C6E	41.40	20.24	19.05	2.80	55.6	22.5 °
CA550 - C6EF1	41.40	19.81	19.30	2.80	50.0	-
CA620 - C13E	42.01	24.51	20.20	3.25	92.0	-

C型/CA型钢制农机链附件

C type and CA type steel agricultural chain attachments



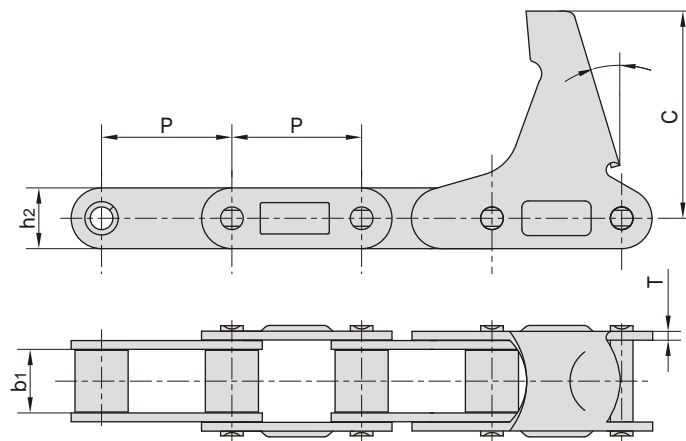
东华链号 Donghua Chain No.	P	b1	h2	t/T	C	B	d4	
	mm	mm	mm	mm	mm	mm	mm	
CA620F5-C6EJ	40.25	24.51	20.20	3.25/3.10	66.00	24.00	6.00	15 °
CA555-C6E	41.40	12.70	19.30	3.10	63.50	-	-	15 °
CA555-C6EJ	41.40	12.70	19.30	3.25	66.00	25.40	7.30	15 °
CA555-C6EJF1	41.40	12.70	19.30	3.10	66.00	25.40	5.50	15 °
CA555-C6EJF2	41.40	12.70	19.30	3.10	60.50	19.00	7.00	15 °
CA555F3-C6EJ	41.40	12.70	19.30	3.15	66.00	25.40	7.30	15 °
CA620F3-C6EJ	42.01	24.51	20.20	3.25/3.10	66.00	24.00	6.00	15 °
CA620F7-C6EJ	42.01	25.00	20.20	3.10	66.00	24.00	6.00	15 °



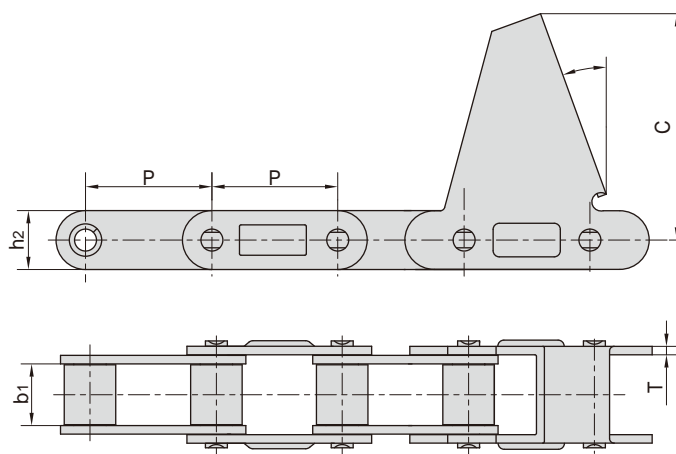
东华链号 Donghua Chain No.	P	b1	h2	B	d4	T	C	
	mm	mm	mm	mm	mm	mm	mm	
CA627-M40A	30.0	19.05	20.5	36.1	6.5	3.0	63.0	15.0 °
CA627-CPEF6	30.0	19.05	20.5	30.0	6.0	3.0	63.3	22.5 °
CA627-CPEF7	30.0	19.05	20.5	35.5	6.5	3.0	63.0	15.0 °
CA627-CPEF10	30.0	19.05	20.5	30.0	6.0	3.0	63.3	22.5 °
CA627-CPEF11	30.0	19.05	20.5	30.0	6.5	3.0	63.0	22.5 °
CA627-CPEF14	30.0	19.05	20.5	25.5	6.5	3.0	63.0	15.0 °
CA627-CPEF15	30.0	19.05	20.5	30.0	6.5	3.0	63.0	7.0 °
CA627-CPEF17	30.0	19.05	20.5	30.0	6.0	3.0	64.0	22.5 °
CA2060H-C6EF4	38.1	12.57	18.0	-	-	3.3	63.5	22.5 °
CA550-CPEF9	41.4	19.81	19.3	-	-	2.8	63.0	21.0 °

C型/CA型钢制农机链附件

C type and CA type steel agricultural chain attachments



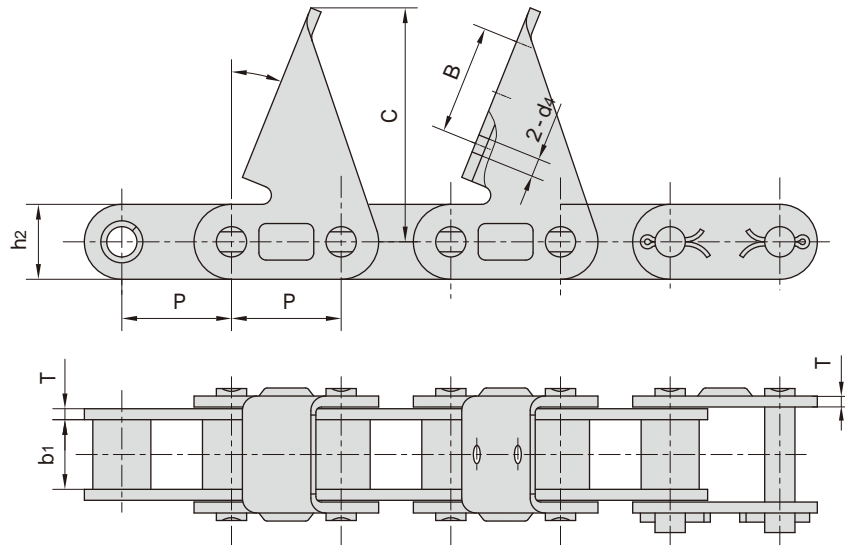
东华链号 Donghua Chain No.	P	b ₁	h ₂	T	C	
	mm	mm	mm	mm	mm	
CA550-LV41N	41.4	19.81	19.3	2.8	65.8	15 °
CA550-LV41NF1	41.4	19.81	19.3	2.8	68.5	20 °
CA550-CPEF3	41.4	19.81	19.3	2.8	72.0	15 °
CA550-CPEF6	41.4	19.81	19.3	3.0	54.8	15 °



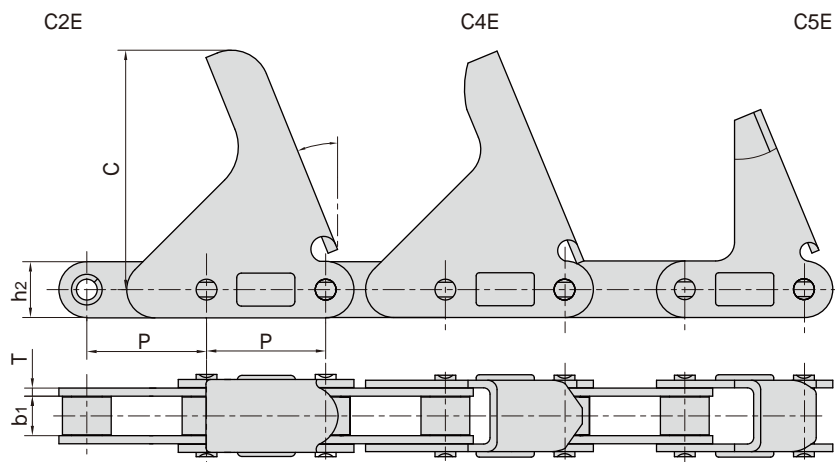
东华链号 Donghua Chain No.	P	b ₁	h ₂	T	C	
	mm	mm	mm	mm	mm	
38.4VBF12	38.4	19.05	20.5	3.0	62.5	22.5 °
38.4VBF14	38.4	19.05	20.5	3.0	65.0	22.0 °
CA550-CPE	41.4	19.81	19.3	2.8	74.5	20.0 °

C型/CA型钢制农机链附件

C type and CA type steel agricultural chain attachments



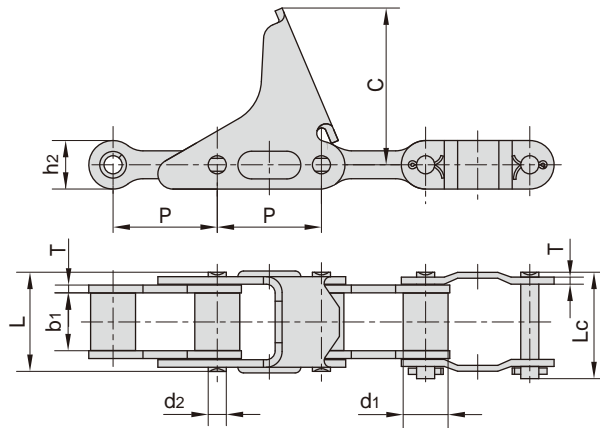
东华链号 Donghua Chain No.	P	b1	h2	B	d4	T	C	
	mm	mm	mm	mm	mm	mm	mm	
CA627-CPE	30.0	19.05	20.5	-	-	3.0	64.0	22.0 °
CA627-CPEF3	30.0	19.05	20.5	30.0	5.0	3.0	64.0	22.0 °
CA2060HF2-CPEF1	38.1	12.70	19.3	30.0	8.3	3.1/2.8	60.0	22.5 °



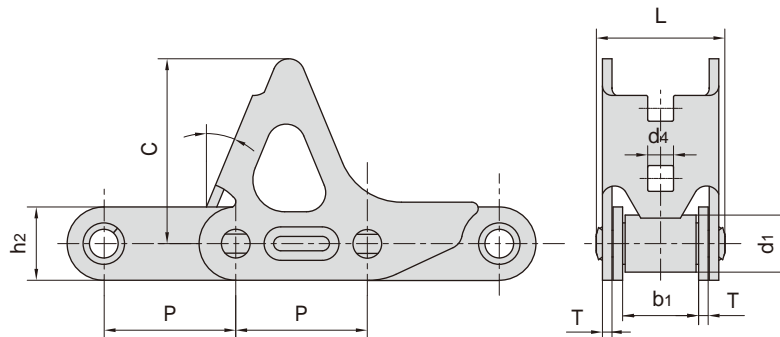
东华链号 Donghua Chain No.	P	b1	h2	T	C	
	mm	mm	mm	mm	mm	
CA2060H-C2E	38.1	12.57	18.0	3.25	76.2	22.5 °
CA2060H-C4E	38.1	12.57	18.0	3.25	75.8	22.5 °
CA2060H-C5E	38.1	12.57	18.0	3.25	57.2	22.5 °

C型/CA型钢制农机链附件

C type and CA type steel agricultural chain attachments



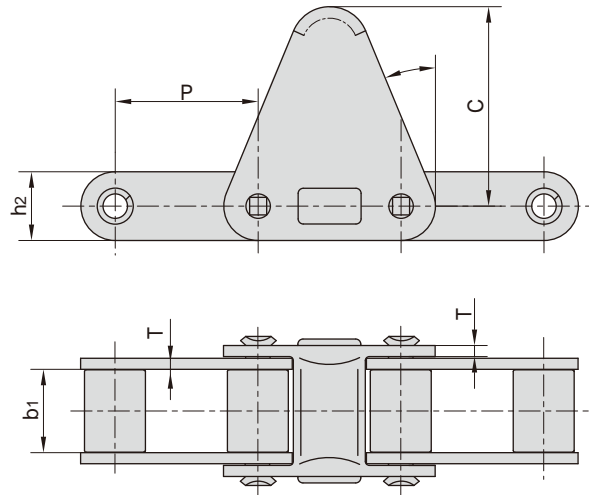
东华链号 Donghua Chain No.	节距 Pitch	滚子直径 Roller diameter	内节内宽 Width between inner plates	销轴直径 Pin diameter	销轴长度 Pin length		附板尺寸 Attachment dimension			抗拉强度 Tensile strength	每米长重 Weight per meter
	P	d1 max	b1 min	d2 max	L max	Lc max	h2 max	T max	C max	Q min	q
	mm	mm	mm	mm	mm	mm	mm	mm	mm	kN/lbf	kg/m
CA555F1	41.4	17.85	23.0	8.2	39.5	42.4	20.0	3.0	84.0	39.1/8795	2.99
CA555F2	41.4	17.85	23.0	8.2	39.5	42.4	20.0	3.0	62.5	39.1/8795	2.82



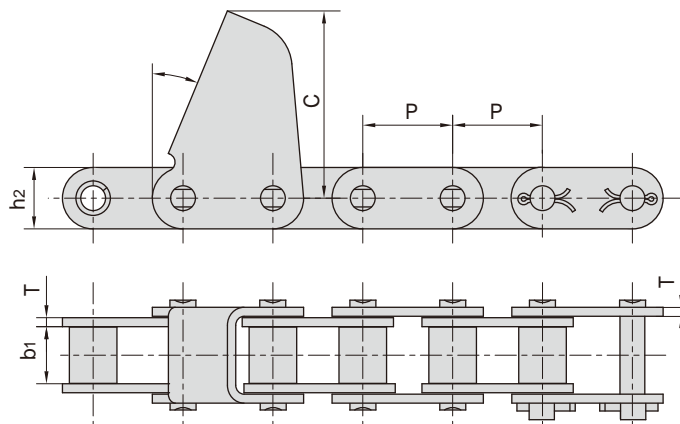
东华链号 Donghua Chain No.	节距 Pitch	滚子直径 Roller diameter	内节内宽 Width between inner plates	销轴长度 Pin length	链板尺寸 Plate dimension					抗拉强度 Tensile strength	每米长重 Weight per meter
	P	d1 max	b1 min	L max	h2 max	T	C	d4	Q min	q	
	mm	mm	mm	mm	mm	mm	mm	mm	kN/lbf	kg/m	
55VDF1 - CPEF	41.4	17.90	22.50	39.7	23.0	3.0	58.0	8.1	22.5 °	50/11248	3.68
55VF6 - CPEF	41.4	15.88	22.23	41.6	22.0	4.0/3.0	51.5	-	28.0 °	45/10117	3.35

C型/CA型钢制农机链附件

C type and CA type steel agricultural chain attachments



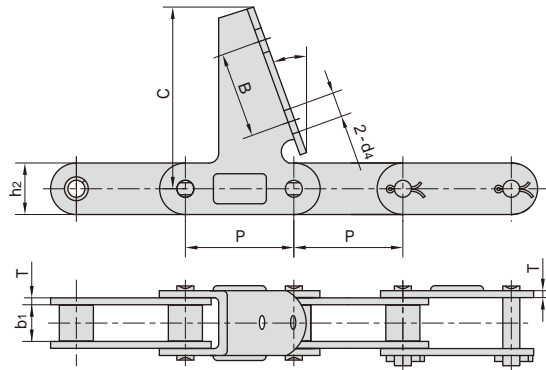
东华链号 Donghua Chain No.	P	b1	h2	T	C	
	mm	mm	mm	mm	mm	
CA620-C30E	42.01	24.51	20.2	3.25	58.7	22.5 °



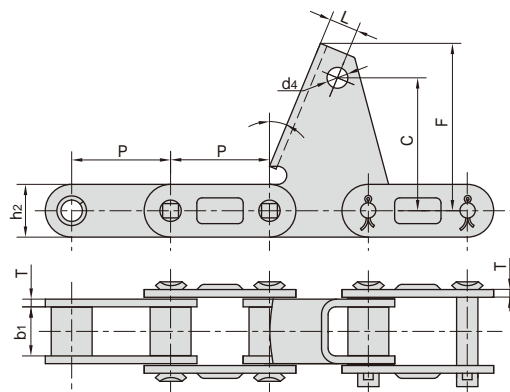
东华链号 Donghua Chain No.	P	b1	h2	T	C	
	mm	mm	mm	mm	mm	
CA627-CPEF1	30.0	19.05	20.5	3.0	62.5	22.5 °
CA627-CPEF2	30.0	19.60	20.5	3.0	62.5	22.5 °
CA627-CPEF4	30.0	19.05	20.5	3.0	62.5	22.5 °
CA627-CPEF9	30.0	19.05	20.5	3.0	69.0	22.0 °
CA550-CPEF2	41.4	19.81	19.3	2.8	63.5	15.0 °

C型/CA型钢制农机链附件

C type and CA type steel agricultural chain attachments



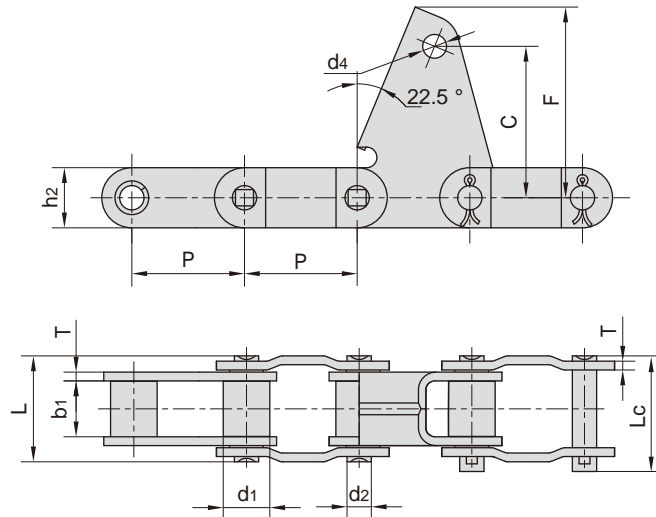
东华链号 Donghua Chain No.	P	b1	h2	d4	T	B	C	
	mm	mm	mm	mm	mm	mm	mm	
CA627-CPEF5	30.0	19.05	20.5	6.30 × 6.30	3.00	30.0	62.5	22.5 °
CA627-CPEF13	30.0	19.05	20.5	6.60 × 6.60	3.00	30.0	63.5	22.5 °
CA627-CPEF16	30.0	19.60	20.5	6.50	3.00	30.0	62.5	22.5 °
CA627-CPEF18	30.0	19.05	20.5	6.50	3.00	30.0	62.5	22.5 °
CA2060H-7AUE	38.1	12.57	18.0	8.50	3.25	30.0	57.2	22.5 °
CA2060H-CPEF2	38.1	12.57	18.0	-	3.25	-	57.0	22.0 °
CA2060H-CPEF3	38.1	12.57	18.0	6.75	3.25	25.4	57.0	22.0 °
CA414-CPEF1	41.4	15.88	20.1	-	3.00	-	66.0	20.0 °
CA550-CPEF1	41.4	19.81	19.3	-	2.80	-	63.5	15.0 °
CA550-CPEF4	41.4	19.81	19.3	-	2.80	-	75.8	20.0 °
CA550-CPEF5	41.4	19.81	19.3	-	2.80	-	60.0	10.0 °



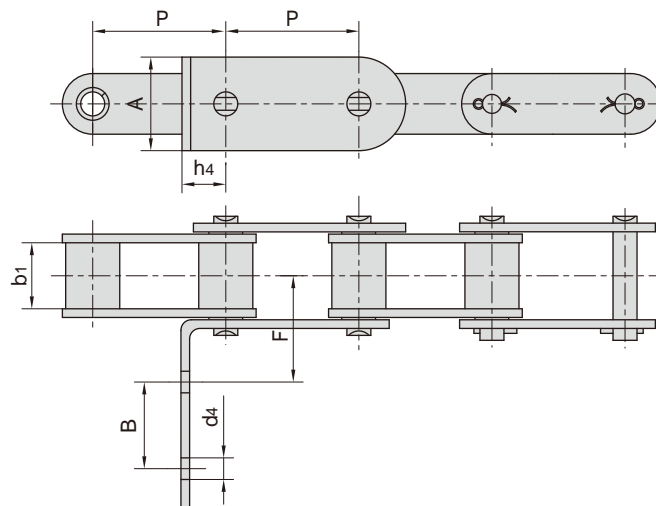
东华链号 Donghua Chain No.	P	b1	h2	L	d4	T	C	F	
	mm	mm	mm	mm	mm	mm	mm	mm	
38.4VBF4	38.4	19.05	20.5	15.0	8.1	3.0	48.0	64.0	22 °

C型/CA型钢制农机链附件

C type and CA type steel agricultural chain attachments



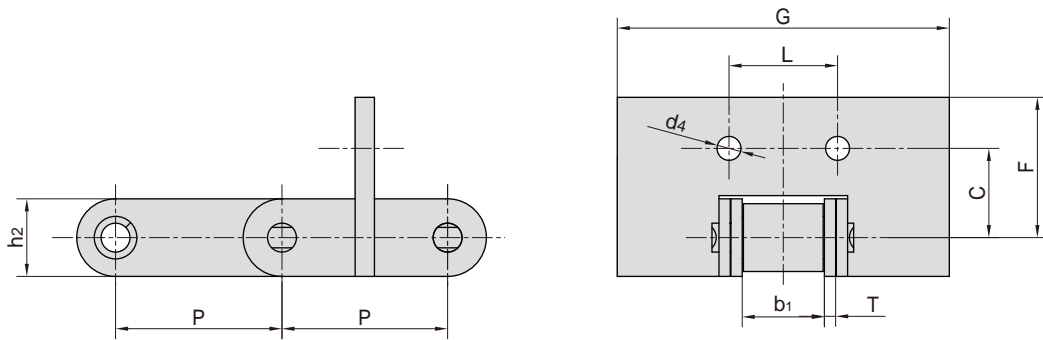
东华链号 Donghua Chain No.	节距	滚子直径	内节内宽	销轴直径	销轴长度		链板尺寸					抗拉强度	每米长重
	Pitch	Roller diameter	Width between inner plates	Pin diameter	L	Lc	Plate dimension					Tensile strength	Weight per meter
	P	d1 max	b1 min	d2 max	L max	Lc max	h2 max	T max	C	F	d4	Q min	q
	mm	mm	mm	mm	mm	mm	mm	mm	mm	mm	mm	kN/lbf	kg/m
38.4VBF2	38.4	15.88	19.05	8.28	36.1	39.1	20.5	3.0	51.6	65	8.1	50/11247	2.33



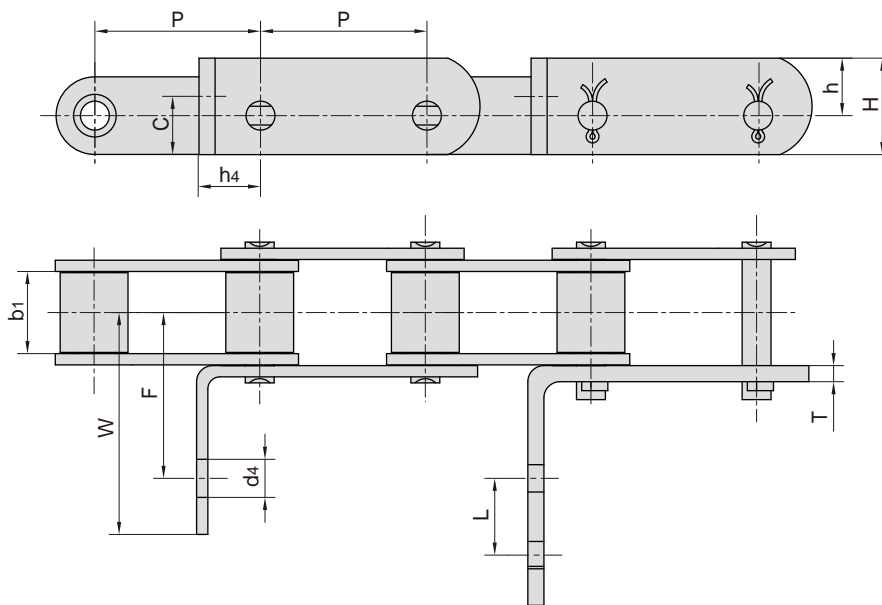
东华链号 Donghua Chain No.	P	b1	A	B	F	h4	d4
	mm	mm	mm	mm	mm	mm	mm
38.4RF2	38.4	19.05	27.0	25	31.3	12.7	6.8
CA550F21	41.4	19.81	19.3	-	41.7	12.5	7.0

C型/CA型钢制农机链附件

C type and CA type steel agricultural chain attachments



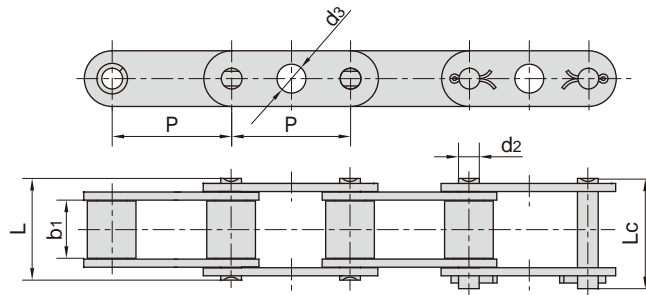
东华链号 Donghua Chain No.	P	b ₁	C	F	L	G	h ₂	T	d ₄
	mm	mm	mm	mm	mm	mm	mm	mm	mm
CA550F11	41.4	19.81	22.2	34.9	27.0	82.6	19.3	2.8	5.95



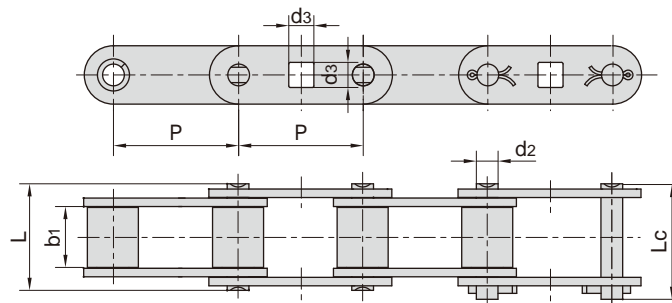
东华链号 Donghua Chain No.	P	b ₁	C	h	H	h ₄	F	L	W	T	d ₄
	mm	mm	mm	mm	mm	mm	mm	mm	mm	mm	mm
CA550-GX	41.4	19.81	14.5	14.3	24.0	15.5	41.7	19.1	73.4	4.00	6.75
CA550-G27	41.4	19.81	14.5	14.3	24.0	15.9	41.7	-	55.2	2.80	8.33
CA550-G27S	41.4	19.81	14.5	14.3	24.0	15.9	41.7	-	55.2	3.25	8.33

C型/CA型钢制农机链附件

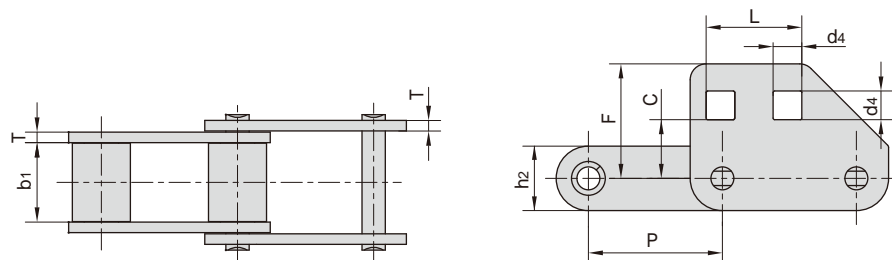
C type and CA type steel agricultural chain attachments



东华链号 Donghua Chain No.	P	b1	d2	d3	L	Lc
	mm	mm	mm	mm	mm	mm
CA550GKF1	41.4	19.81	7.19	10	35	38
CA550GKF3	41.4	19.81	7.19	12	35	38



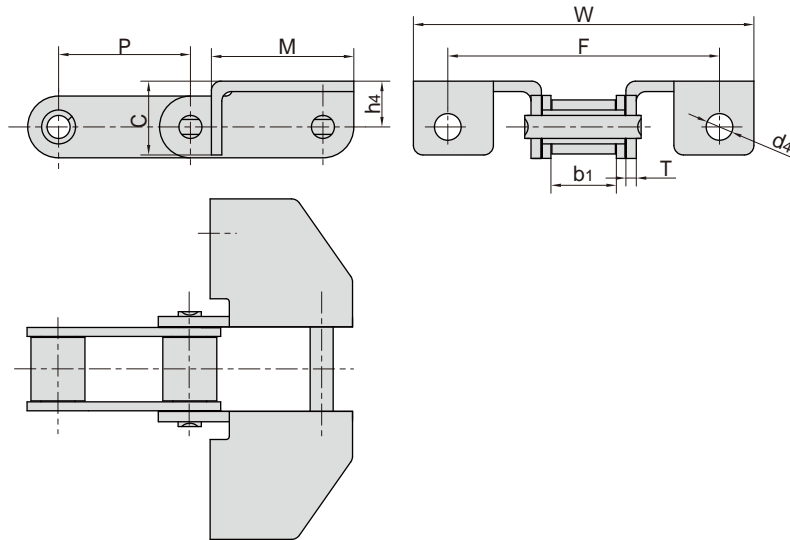
东华链号 Donghua Chain No.	P	b1	d2	d3	L	Lc
	mm	mm	mm	mm	mm	mm
CA550GKF2	41.4	19.81	7.19	8.3	35	38



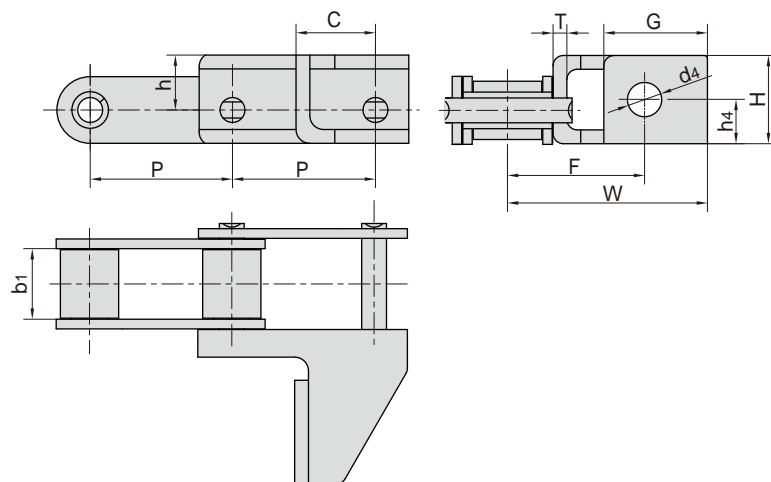
东华链号 Donghua Chain No.	P	b1	L	T	C	F	d4
	mm	mm	mm	mm	mm	mm	mm
CA620F2	42.01	24.51	30	3.25	18.4	35.9	9

C型/CA型钢制农机链附件

C type and CA type steel agricultural chain attachments



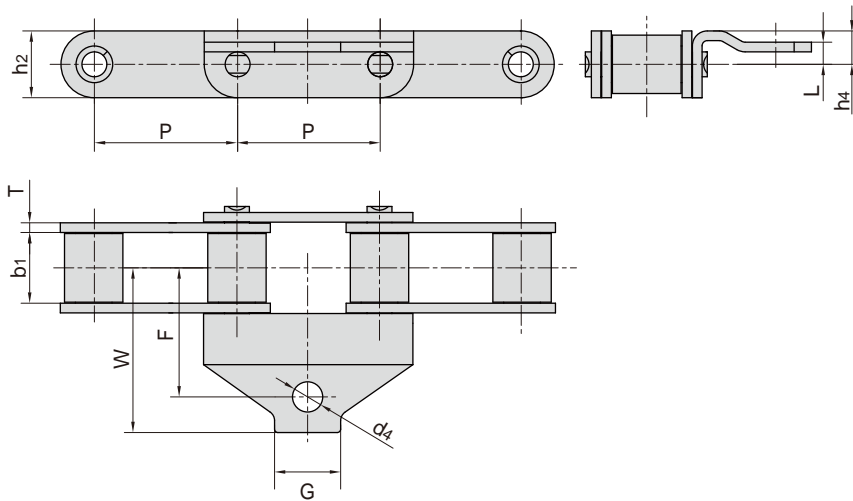
东华链号 Donghua Chain No.	P	b ₁	M	C	F	W	T	h ₄	d ₄
	mm	mm	mm	mm	mm	mm	mm	mm	mm
CA550-F7A	41.4	19.81	44.5	23.3	84.9	106.4	3.25	14.3	8.33
CA550G57	41.4	19.81	44.5	23.3	-	106.4	3.25	14.3	-



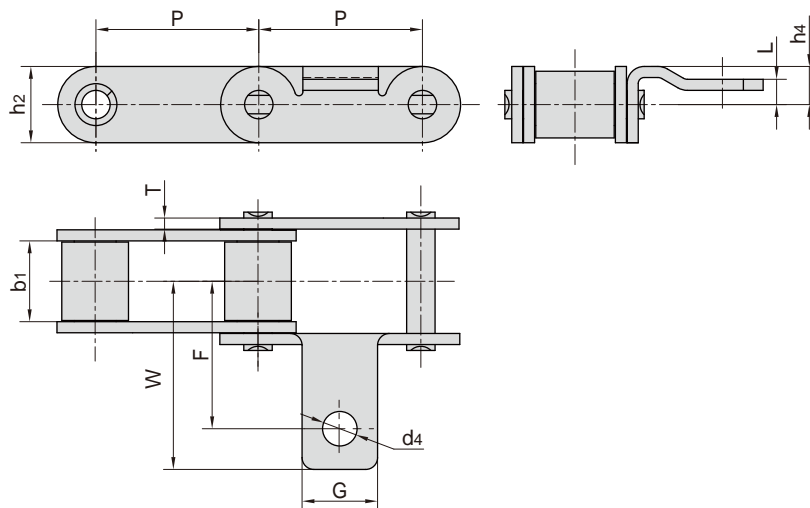
东华链号 Donghua Chain No.	P	b ₁	C	h	H	G	h ₄	F	W	T	d ₄
	mm	mm	mm	mm	mm	mm	mm	mm	mm	mm	mm
CA550-G50	41.4	19.81	23.0	17.5	27.2	30.0	12.9	39.7	57.9	4.0	9.92
CA550-G50S	41.4	19.81	23.0	15.9	25.6	30.0	12.9	39.7	57.9	4.0	9.92
P41.4F8	41.4	20.00	24.5	13.8	31.6	25.5	13.8	40.1	55.8	4.0	13.60

C型/CA型钢制农机链附件

C type and CA type steel agricultural chain attachments



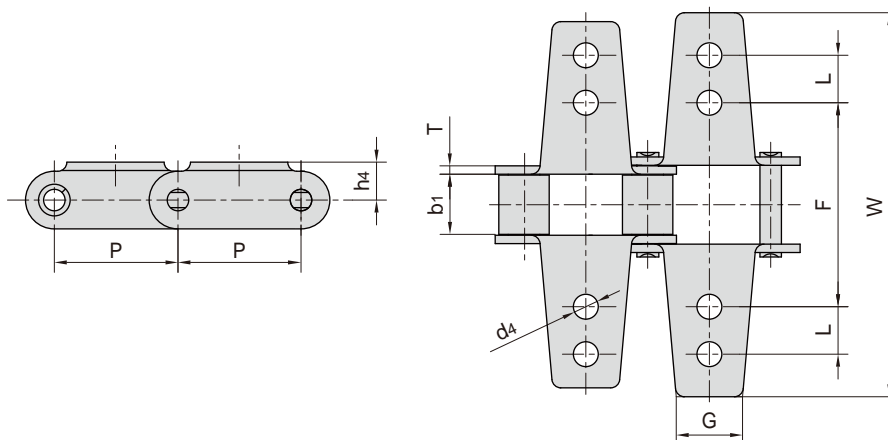
东华链号 Donghua Chain No.	P	b ₁	G	F	W	h ₂	L	h ₄	T	d ₄
	mm	mm	mm	mm	mm	mm	mm	mm	mm	mm
CA550AH	41.4	19.81	19.1	37.3	47.6	19.3	6.4	9.65	2.8	8.73
CA550AHF1	41.4	19.81	25.4	37.3	47.6	19.3	6.4	9.70	2.8	8.71



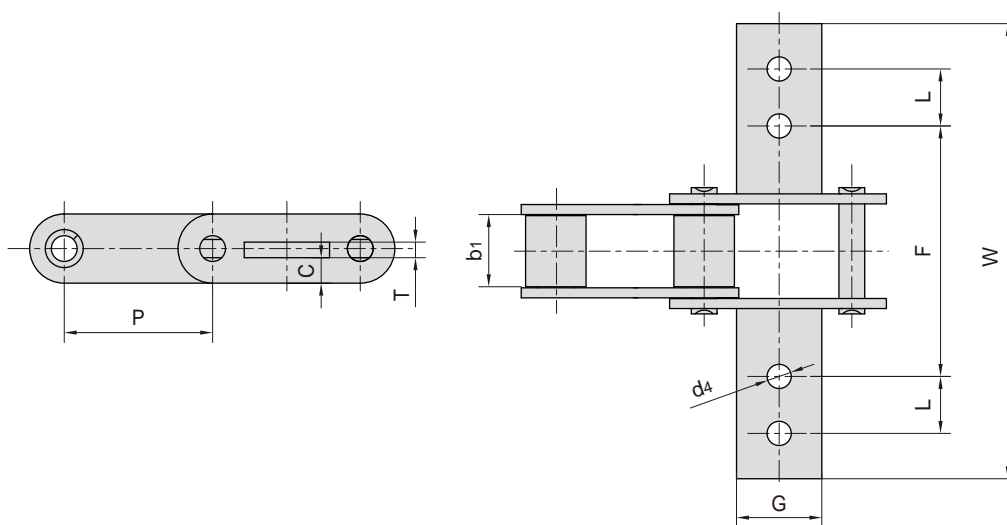
东华链号 Donghua Chain No.	P	b ₁	G	F	W	h ₂	L	h ₄	T	d ₄
	mm	mm	mm	mm	mm	mm	mm	mm	mm	mm
CA550AID	41.4	19.81	19.1	37.3	47.6	19.3	6.4	9.65	2.8	8.73

C型/CA型钢制农机链附件

C type and CA type steel agricultural chain attachments



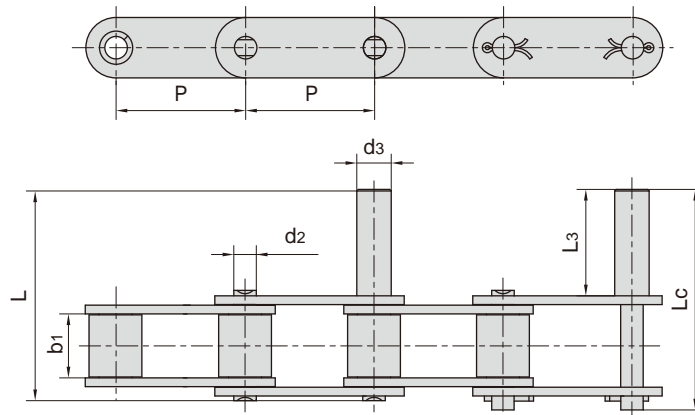
东华链号 Donghua Chain No.	P	b ₁	L	G	F	W	h ₄	T	d ₄
	mm	mm	mm	mm	mm	mm	mm	mm	mm
CA550K6	41.40	19.81	15.9	22.2	68.3	128.6	12.7	2.80	8.33
CA620K12	42.01	24.51	15.9	22.2	69.9	130.2	23.8	3.25	6.75



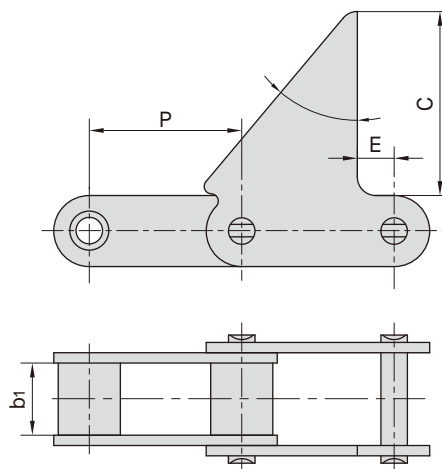
东华链号 Donghua Chain No.	P	b ₁	G	L	F	W	T	C	d ₄
	mm	mm	mm	mm	mm	mm	mm	mm	mm
CA550K8	41.40	19.81	23.8	15.9	69.9	127.0	4.3	7.1	6.75
CA550K9	41.40	19.81	23.8	15.9	69.9	127.0	4.3	7.9	6.75

C型/CA型钢制农机链附件

C type and CA type steel agricultural chain attachments



东华链号 Donghua Chain No.	P	b ₁	d ₂	d ₃	L ₃	L	L _c
	mm	mm	mm	mm	mm	mm	mm
CA550-D1	41.40	19.81	7.19	12.70	50.80	84.5	87.5
CA550-D2	41.40	19.81	7.19	7.19	31.75	65.4	68.4
CA550-D4	41.40	19.81	7.19	11.00	34.00	67.7	70.7
S62F6	41.19	25.40	9.00	12.70	40.00	84.8	87.8
S62F4	41.19	26.00	8.00	12.70	40.00	80.8	83.8
CA620-D1F1	42.01	24.51	7.19	12.00	44.45	84.8	88.2



东华链号 Donghua Chain No.	P	b ₁	C	E
	mm	mm	mm	mm
CA550F6	41.4	19.81	50.0	40 ° 10
CA550F9	41.4	19.81	40.7	40 ° 10