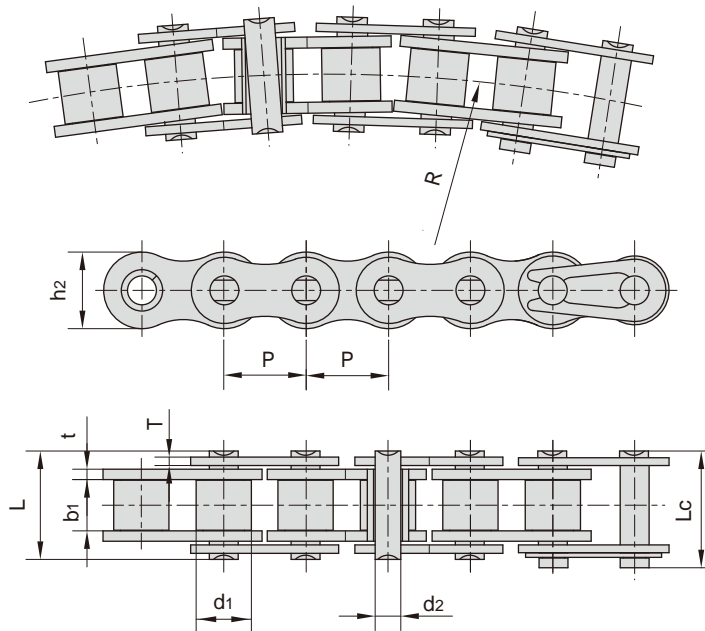


侧弯链

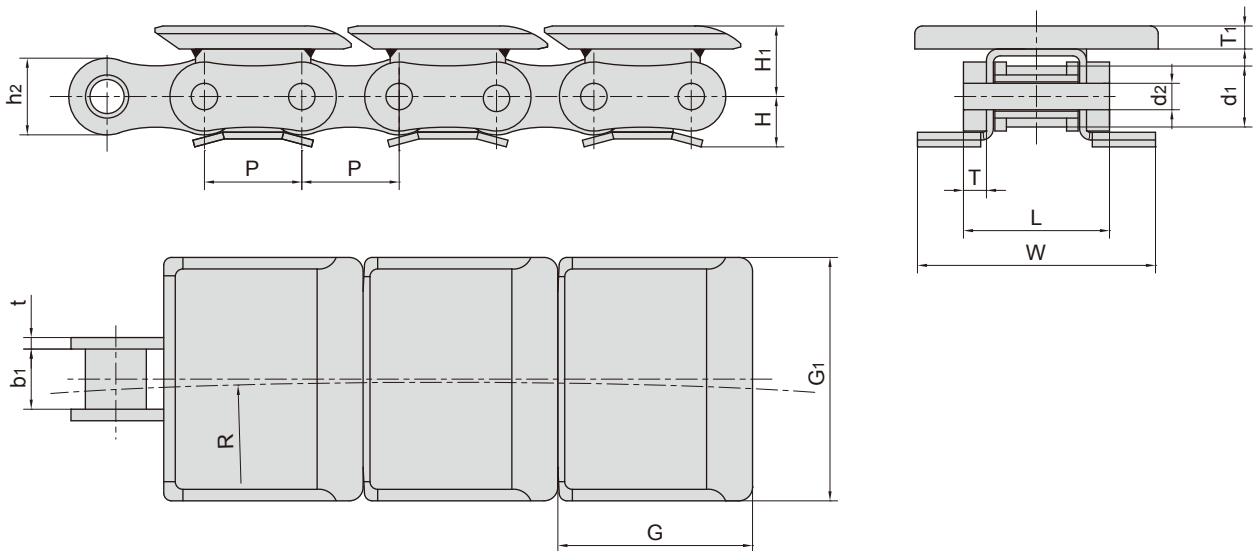
Side bow chains



东华链号 Donghua Chain No.	节距	滚子直径	内节内宽	销轴直径	销轴长度		内链板高度	链板厚度	侧弯半径	抗拉强度	平均抗拉强度	每米长重
	Pitch	Roller diameter	Width between inner plates	Pin diameter	Pin length	Pin length	Inner plate depth	Plate thickness	Side bow radius	Tensile strength	Average tensile strength	Weight per meter
	P	d1 max	b1 min	d2 max	L max	Lc max	h2 max	t/T max	R	Q min	Q0	q
	mm	mm	mm	mm	mm	mm	mm	mm	mm	kN/lbf	kN	kg/m
40SB	12.700	7.95	7.85	3.96	16.9	18.1	11.7	1.50	350	13.8/3136	15.20	0.80
43SB	12.700	7.95	7.85	3.45	18.3	19.5	11.7	1.50	305	12.0/2727	13.20	0.64
50SB	15.875	10.16	9.40	4.37	20.7	22.7	14.9	2.03	400	20.6/4681	22.70	1.09
60SB	19.050	11.91	12.57	5.34	26.6	28.4	18.0	2.42	500	15.7/3568	17.30	1.54
63SB	19.050	11.91	12.68	5.08	28.8	30.6	17.2	2.42/2.03	350	12.5/2840	20.00	1.40
80SB	25.400	15.88	15.75	7.19	34.0	37.3	24.0	3.25	711	40.9/9201	42.00	2.60
#06BSBF1	9.525	6.35	5.72	3.05	13.5	15.0	8.2	1.30	300	8.0/1818	8.80	0.60
08BSB	12.700	8.51	7.75	3.97	17.4	18.7	11.8	1.60	400	14.0/3182	15.40	0.70
08BSBF1	12.700	8.51	7.75	3.97	16.3	17.6	11.8	1.60/1.20	400	12.8/2909	14.10	0.65
10BSB	15.875	10.16	9.65	4.50	20.1	21.5	14.7	1.70	400	15.6/3545	17.20	0.93
12BSB	19.050	12.07	11.68	5.12	23.1	24.8	16.0	1.85	500	20.5/4658	22.60	1.16
16BSB	25.400	15.88	17.22	7.90	36.5	39.7	21.0	3.70/3.00	500	55.6/12635	64.00	2.53
16BSBF3	25.400	15.88	17.02	7.85	36.2	38.9	21.0	3.80/3.00	1260	55.6/12635	64.00	2.73
#C24BSB	38.100	25.40	25.50	14.00	54.3	58.5	33.2	6.00/4.80	2000	160.0/35968	176.00	7.46
#C2050SB	31.750	10.16	9.40	5.08	21.3	22.6	15.0	2.03	800	21.8/4954	24.00	0.84
#C2060SBF1	38.100	11.91	12.57	5.08	26.8	28.8	18.0	2.42	800	21.8/4954	24.00	1.17
#C2062F6SB	38.100	22.23	12.57	5.34	26.6	29.0	23.0	2.42	1100	15.7/3568	17.30	2.27

#直链板
#Straight side plates

带附件侧弯链 Side bow chains with attachments



东华链号 Donghua Chain No.	节距	滚子直径	内节内宽	销轴直径	销轴长度	内链板高度	附件尺寸						侧弯半径	
	Pitch	Roller diameter	Width between inner plates	Pin diameter	Pin length	Inner plate depth	Attachment dimension						Side bow radius	
	P	d ₁	b ₁	d ₂	L	h ₂	H	H ₁	t/T	T ₁	G	G ₁	W	R
	mm	mm	mm	mm	mm	mm	mm	mm	mm	mm	mm	mm	mm	mm
43SBF11	12.7	7.95	7.85	3.45	19.6	9.8	6.9	9.2	1.5/2.8	3	25.7	31.75	31.6	254
43SBF12	12.7	7.95	7.85	3.45	19.6	9.8	6.9	9.2	1.5/2.8	3	25.7	36.00	31.6	254
43SBF13	12.7	7.95	7.85	3.45	19.6	9.8	6.9	9.2	1.5/2.8	3	25.7	64.00	31.6	254