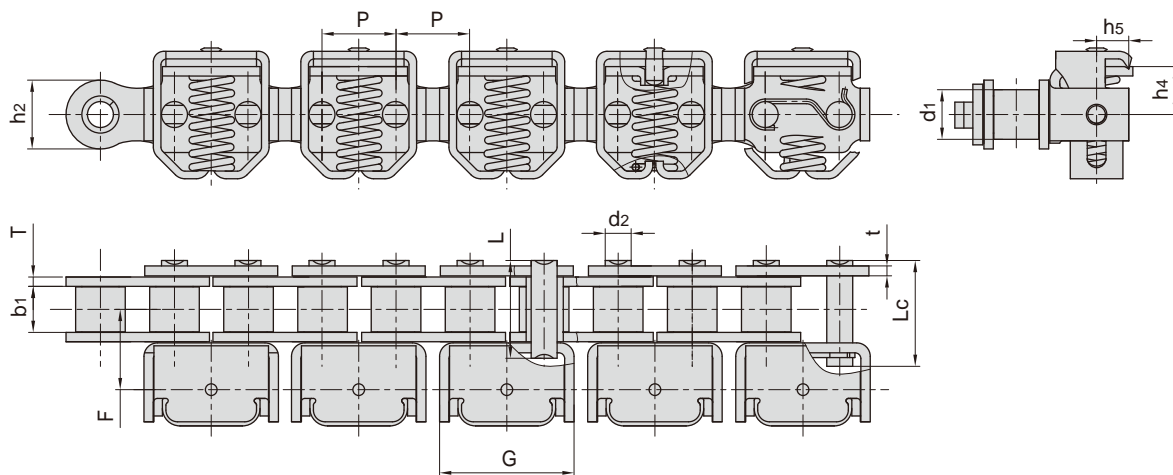


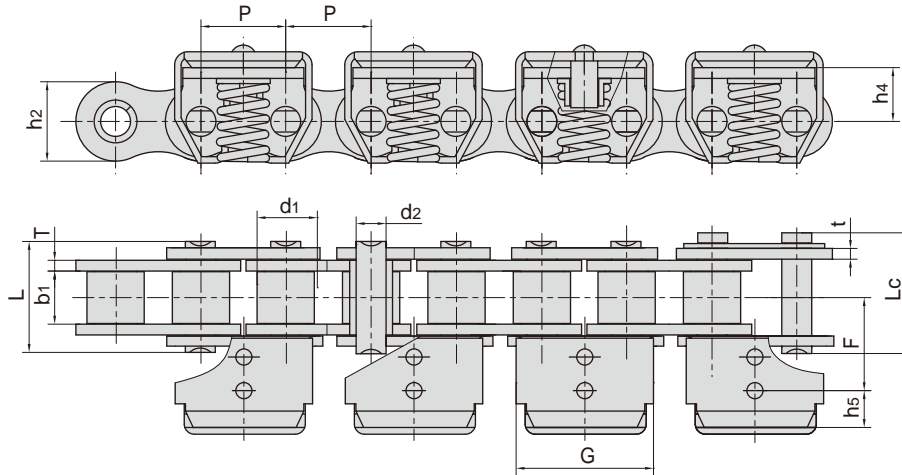
夹膜链 Grip chains



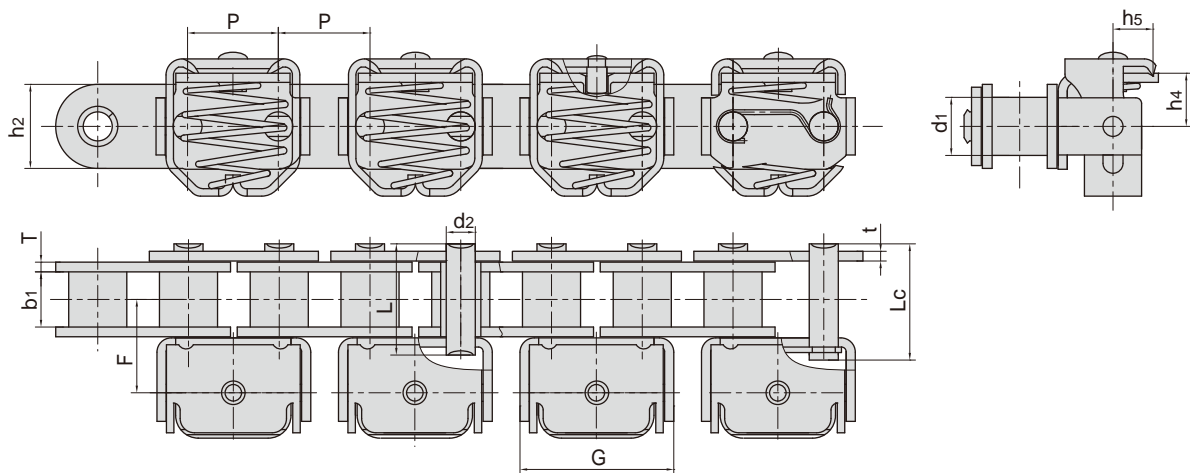
东华链号 Donghua Chain No.	节距	滚子直径	内节内宽	销轴直径	销轴长度		链板高度	链板厚度	附件尺寸				抗拉强度	平均抗拉强度	每米长重
	Pitch	Roller diameter	Width between inner plates	Pin diameter	L max	Lc max	Plate depth	Plate thickness	Attachment dimension				Tensile strength	Average tensile strength	Weight per meter
	P	d1 max	b1 min	d2 max	L max	Lc max	h2 max	T/t	h4	h5	F	G	Q min	Q0	q
	mm	mm	mm	mm	mm	mm	mm	mm	mm	mm	mm	mm	kN/lbf	kN	kg/m
08B-GC	12.7	8.51	7.75	4.45	16.7	18.2	11.8	1.60	8.5	5.5	13.7	19.8	18.00/4046	19.80	1.20



夹膜链 Grip chains



东华链号 Donghua Chain No.	节距	滚子直径	内节内宽	销轴直径	销轴长度		链板高度	链板厚度	附件尺寸				抗拉强度	每米长重
	Pitch	Roller diameter	Width between inner plates	Pin diameter	L	Lc	Plate depth	Plate thickness	Attachment dimension				Tensile strength	Weight per meter
	P	d1 max	b1 min	d2 max	L max	Lc	h2 max	T/t	h4	h5	F	G	Q min	q
	mm	mm	mm	mm	mm	mm	mm	mm	mm	mm	mm	mm	kN/lbf	kg/m
08BSSF32	12.7	8.51	7.75	4.45	16.7	18.2	11.8	13.8	8.0	6.5	13.8	20.4	12.0/2727	1.14



东华链号 Donghua Chain No.	节距	滚子直径	内节内宽	销轴直径	销轴长度		链板高度	链板厚度	附件尺寸				抗拉强度	平均抗拉强度	每米长重
	Pitch	Roller diameter	Width between inner plates	Pin diameter	L	Lc	Plate depth	Plate thickness	Attachment dimension				Tensile strength	Average tensile strength	Weight per meter
	P	d1 max	b1 min	d2 max	L max	Lc max	h2 max	T/t	h4	h5	F	G	Q min	Q0	q
	mm	mm	mm	mm	mm	mm	mm	mm	mm	mm	mm	mm	kN/lbf	kN	kg/m
10B-GC	15.875	10.16	9.65	5.08	19.3	20.7	14.7	1.70	9.0	7.0	16.4	16.9	22.40/5036	24.64	1.60